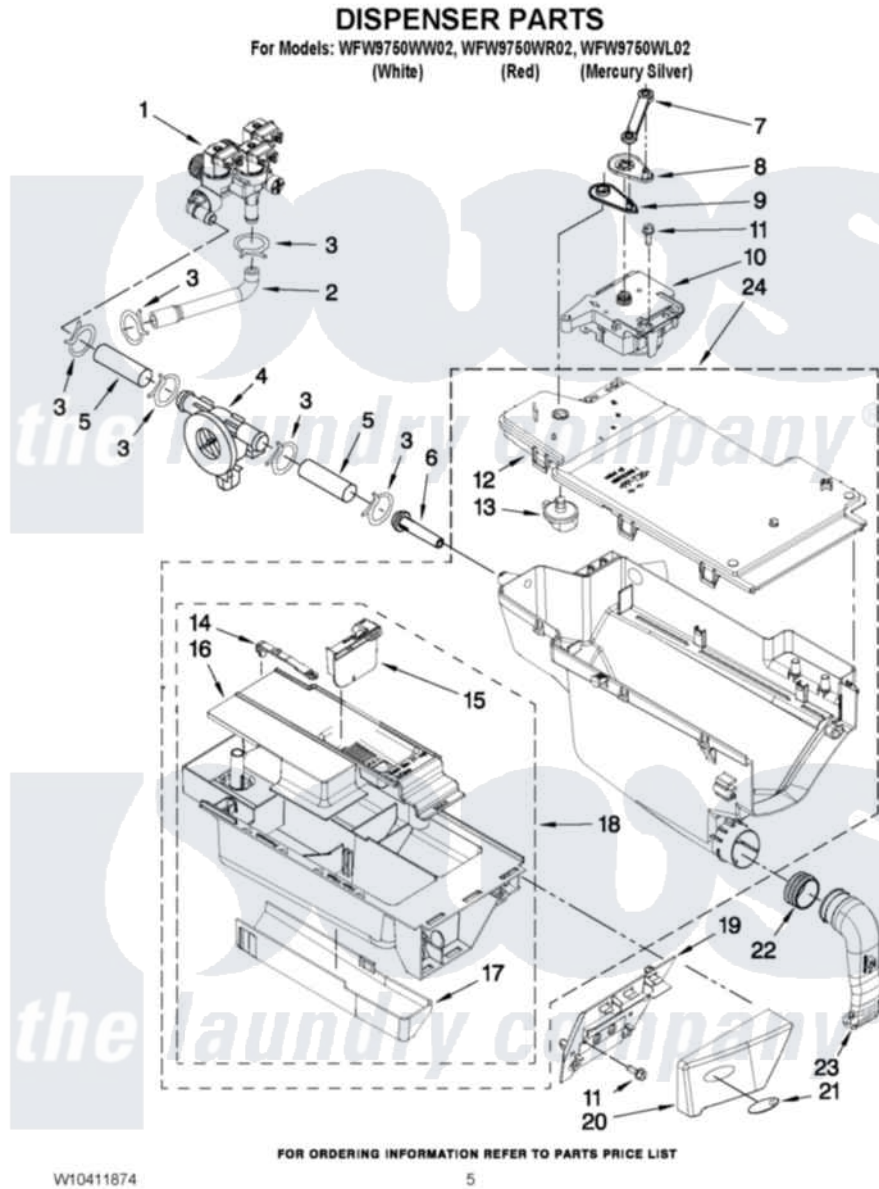


# Whirlpool WFW9750WW02 04 - DISPENSER PARTS



Whirlpool [Residential Whirlpool WFW9750WW02 Washer Parts](#) Parts Diagram 04 - DISPENSER PARTS  
Click on the part number to view part

| Item | Original Part Number      | Replaced By               | Status | Part Description                 |
|------|---------------------------|---------------------------|--------|----------------------------------|
| 1    | <a href="#">W10247306</a> |                           |        | Valve, Inlet                     |
| 2    | <a href="#">W10247308</a> |                           |        | Hose, Inlet Valve To Vent Pipe   |
| 3    | 8181751                   | <a href="#">489503</a>    |        | Clamp                            |
| 4    | 8181696                   | <a href="#">W10110225</a> |        | Flowmeter                        |
| 5    | <a href="#">W10275565</a> |                           |        | Hose, Inlet Valve To Flowmeter   |
| 6    | <a href="#">8183181</a>   |                           |        | Nozzle, Inlet                    |
| 7    | <a href="#">8183183</a>   |                           |        | Lever, Water Distribution        |
| 8    | <a href="#">8183184</a>   |                           |        | Cam, Actuator                    |
| 9    | <a href="#">W10161052</a> |                           |        | Lever, Water Distribution        |
| 10   | W10283468                 | <a href="#">W10352973</a> |        | Actuator                         |
| 11   | <a href="#">8181661</a>   |                           |        | Screw, Actuator                  |
| 12   | <a href="#">W10164400</a> |                           |        | Plate, Distribution              |
| 13   | <a href="#">8181712</a>   |                           |        | Nozzle, Distribution             |
| 14   | <a href="#">8181721</a>   |                           |        | Hook, Drawer                     |
| 15   | <a href="#">W10121596</a> |                           |        | Separator, With Selection Slider |

|    |                           |                           |                           |
|----|---------------------------|---------------------------|---------------------------|
| 16 | <a href="#">W10157775</a> |                           | Syphon, Bleach/Softener   |
| 17 | <a href="#">8183179</a>   |                           | Cover, Detergent Drawer   |
| 18 | <a href="#">W10157760</a> |                           | Drawer, Detergent         |
| 19 | <a href="#">W10156617</a> |                           | Bracket, Handle Fixation  |
| 20 | W10283376                 | <a href="#">W10283453</a> | Handle                    |
| "  | W10283426                 | <a href="#">W10283455</a> | Handle                    |
| "  | W10283428                 | <a href="#">W10283456</a> | Handle                    |
| 21 | <a href="#">8183253</a>   |                           | Medallion                 |
| 22 | <a href="#">8181747</a>   |                           | Seal                      |
| 23 | <a href="#">8181718</a>   |                           | Tube, Dispenser To Bellow |
| 24 | <a href="#">W10157759</a> |                           | Dispenser, Complete       |

