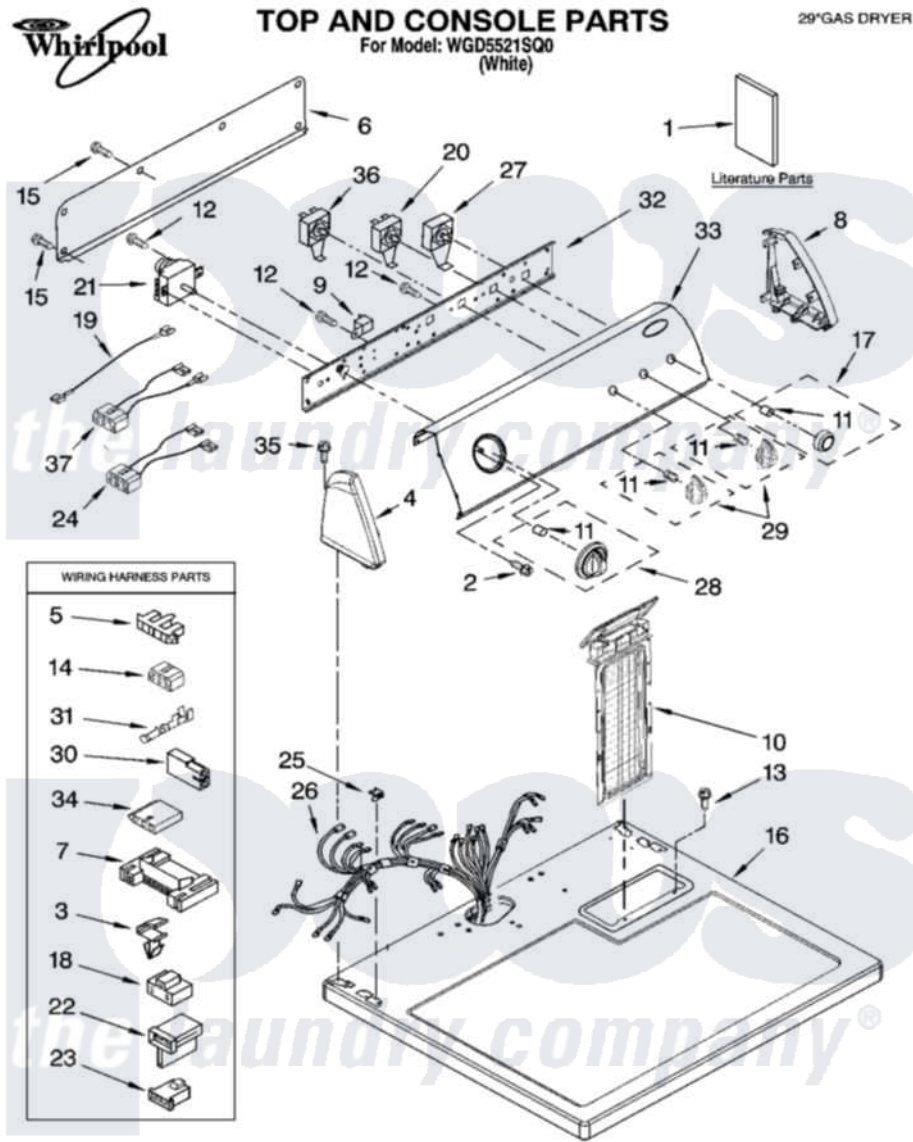


# Whirlpool WGD5521SQ0 01 - TOP AND CONSOLE PARTS



7-06 Litho in U.S.A. (drd)

1

Part No. 8181453

Whirlpool Residential Whirlpool WGD5521SQ0 Dryer Parts Parts Diagram 01 - TOP AND CONSOLE PARTS  
 Click on the part number to view part

Item	Original Part Number	Replaced By	Status	Part Description
1	8562582		Not Available	Instructions, Installation
"	8578183		Not Available	Use And Care Guide
"	8576811		Not Available	Wiring Diagram
"	W10095340		Not Available	Sheet, Cycle Feature
"	BLANK		Not Available	Following May Be Purchased DO-IT-YOURSELF REPAIR MANUALS
"	677818		Not Available	Manual, Do-It- Yourself Repair (Dryer)
2	8533951	<a href="#">3400859</a>		Screw, Grounding
3	<a href="#">3394427</a>			Clip-Harness
4	8271365	<a href="#">279962</a>		Endcap
5	<a href="#">3397269</a>			Connector, Timer
6	<a href="#">8274261</a>			Do-It-Yourself Repair Manuals
7	<a href="#">3395683</a>			Receptacle, Multi-Terminal
8	8271359	<a href="#">279962</a>		Endcap
9	<a href="#">694419</a>			Mini-Buzzer

10	<a href="#">8557857</a>		Screen, Lint
11	<a href="#">8536939</a>		Clip, Knob
12	8533971	<a href="#">90767</a>	Screw, 8A X 3/8 HeX Washer Head Tapping
13	688983	<a href="#">487240</a>	Screw, For Mtg. Service Capacitor
14	<a href="#">3347243</a>		Block, Disconnect
15	<a href="#">693995</a>		Screw, Hex Head
16	8557930	<a href="#">8563985</a>	Top
17	<a href="#">8566073</a>		Knob, Push-To-Start
18	<a href="#">3401144</a>		Connector
19	<a href="#">3401684</a>		Jumper, Wire
20	3399642	<a href="#">W10168169</a>	Switch, Wrinkle Guard
21	<a href="#">8299766</a>		Timer Assembly
22	<a href="#">3403499</a>		Connector, 2-Postion
23	<a href="#">3403498</a>		Connector, 3-Position
24	3396029	<a href="#">8539893</a>	Wire, Jumper
25	<a href="#">357213</a>		Nut, Push-In
26	<a href="#">8299879</a>		Harness, Wiring
27	<a href="#">3398095</a>		Switch, Push-To-Start
28	<a href="#">8566061</a>		Timer Knob Assembly
29	<a href="#">8565944</a>		Knob, Control
30	<a href="#">717252</a>		Receptacle, Terminal
31	<a href="#">94614</a>		Terminal
32	<a href="#">8544895</a>		Bracket, Control
33	<a href="#">W10104740</a>		Panel, Control
34	<a href="#">3936144</a>		Do-It-Yourself Repair Manuals
35	<a href="#">388326</a>		Screw, 8-18 X 1.25
36	<a href="#">3405156</a>		Switch, Rotary
37	<a href="#">3397695</a>		Wire, Jumper

