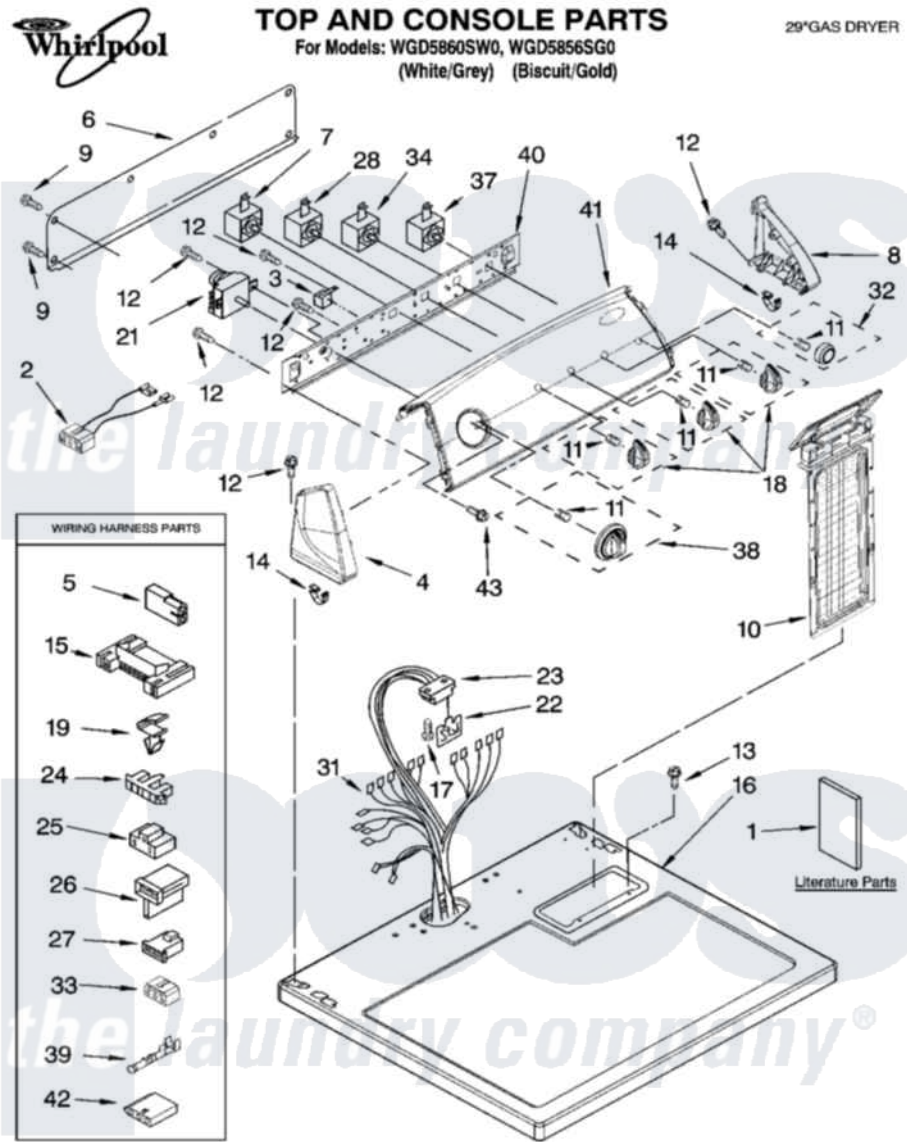


Whirlpool WGD5856SG0 01 - TOP AND CONSOLE PARTS



8-06 LITHO IN U.S.A. (LT.)

1

Part No. W10113919

[Whirlpool Residential Whirlpool WGD5856SG0 Dryer Parts](#) Parts Diagram 01 - TOP AND CONSOLE PARTS

[Click on the part number to view part](#)

Item	Original Part Number	Replaced By	Status	Part Description
1	8562582		Not Available	Instructions, Installation
"	W10042950		Not Available	Sheet, Cycle Feature
"	8578183		Not Available	Use And Care Guide
"	3406661		Not Available	Wiring Diagram
"	BLANK		Not Available	Following May Be Purchased DO-IT-YOURSELF REPAIR MANUALS
"	677818		Not Available	Manual, Do-It- Yourself Repair (Dryer)
2	3401695			Wire, Jumper Buzzer
3	694419			Mini-Buzzer
4	8566035	8565957		Cap, End
"	8566036	8565958		Cap, End
5	717252			Receptacle, Terminal
6	8274261			Do-It-Yourself Repair Manuals
7	3405155			Switch, Temperature
8	8566032	8565954		Cap, End

"	8566033	8565955	Cap, End
9	693995		Screw, Hex Head
10	8557857		Screen, Lint
"	8557858		Screen, Lint
11	8536939		Clip, Knob
12	8533971	90767	Screw, 8A X 3/8 HeX Washer Head Tapping
13	688983	487240	Screw, For Mtg. Service Capacitor
14	8312709		Clip-Console
15	3395683		Receptacle, Multi-Terminal
16	W10028870		Top
"	W10028880		Top
17	359625	487240	Screw, For Mtg. Service Capacitor
18	W10034380		Knob, Control
"	W10034390		Knob, Control
19	3394427		Clip-Harness
21	3406725		Timer Assembly
22	8558178		Control, Electronic
23	3391885		Connector, Edge
24	3397269		Connector, Timer
25	3401144		Connector
26	3403499		Connector, 2-Postion
27	3403498		Connector, 3-Position
28	3405152		Switch, Wrinkle Shield
31	8299891		Harness, Wiring
32	W10034770		Knob, Push-To-Start
"	W10034780		Knob, Push-To-Start
33	3347243		Block, Disconnect
34	3405154		Switch Rotary
37	3398094		Switch, Push To Start
38	W10034750		Timer Knob Assembly
"	W10034760		Timer Knob Assembly
39	94614		Terminal
40	8566052		Bracket, Console
41	W10029070		Panel, Control
"	W10029080		Panel, Control
42	3936144		Do-It-Yourself Repair Manuals
43	8533951	3400859	Screw, Grounding