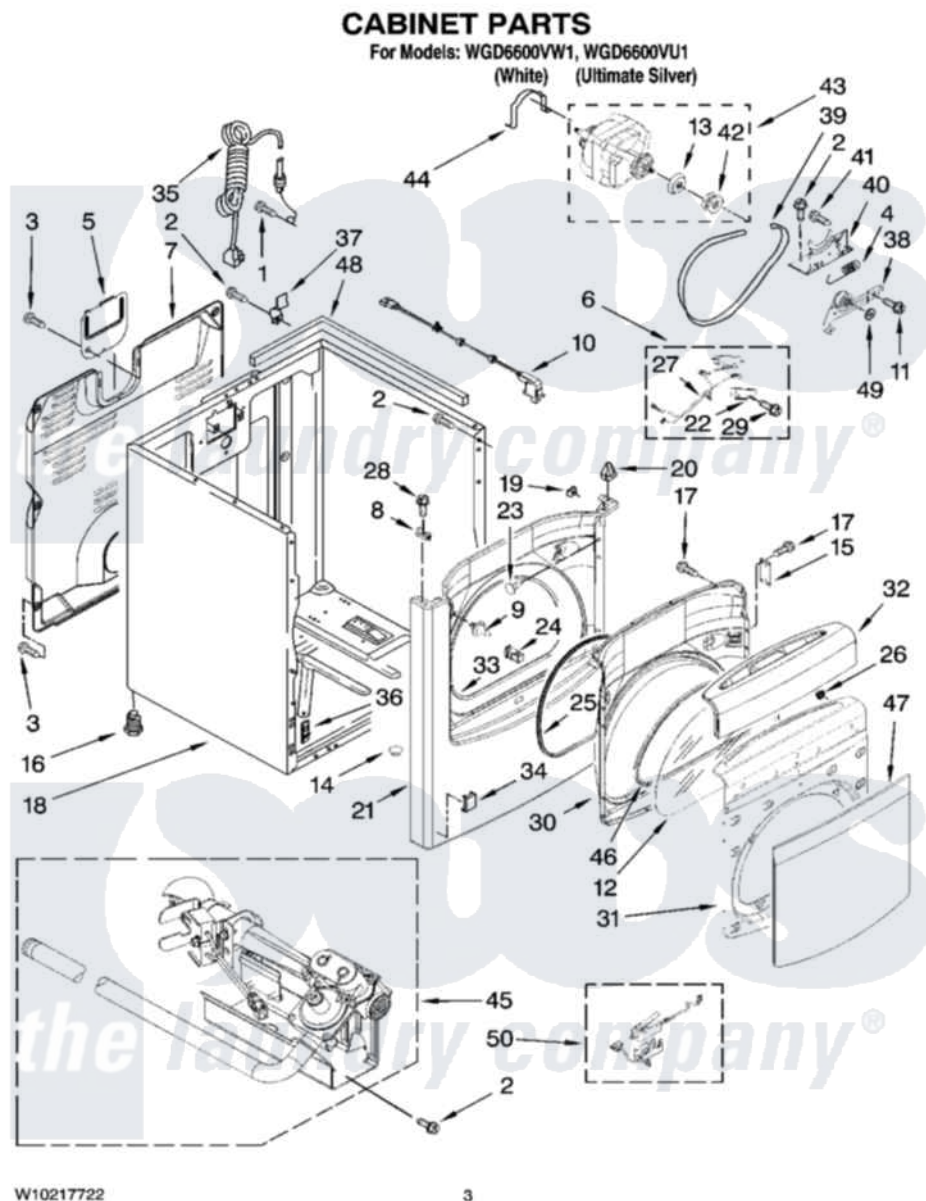


# Whirlpool WGD6600VU1 02 - CABINET PARTS



Whirlpool Residential Whirlpool WGD6600VU1 Dryer Parts Parts Diagram 02 - CABINET PARTS  
Click on the part number to view part

| Item | Original Part Number      | Replaced By               | Status | Part Description             |
|------|---------------------------|---------------------------|--------|------------------------------|
| 1    | 8533974                   | <a href="#">4331106</a>   |        | Screw, No.10-32 X 7/16       |
| 2    | <a href="#">3390631</a>   |                           |        | Screw, 10-16 X 3/8           |
| 3    | <a href="#">693995</a>    |                           |        | Screw, Hex Head              |
| 4    | <a href="#">3387374</a>   |                           |        | Spring, Idler                |
| 5    | <a href="#">8558833</a>   |                           |        | Plate, Cover Terminal Block  |
| 6    | <a href="#">8566208</a>   |                           |        | Assembly, Switch             |
| 7    | <a href="#">W10140148</a> |                           |        | Panel, Rear                  |
| 8    | <a href="#">8568303</a>   |                           |        | Locator, Snap Down           |
| 9    | 8572983                   | <a href="#">W10295405</a> |        | Strike                       |
| 10   | 3978977                   | <a href="#">W10201787</a> |        | Switch-Dor                   |
| 11   | <a href="#">3389420</a>   |                           |        | Retainer-Idler 1/4-20 X 1/16 |
| 12   | <a href="#">8565015</a>   |                           |        | Glass, Inner Door            |
| 13   | <a href="#">8578538</a>   |                           |        | Restrainer, Belt             |
| 14   | <a href="#">8578560</a>   |                           |        | Hole, Plug                   |
| 15   | <a href="#">8565018</a>   |                           |        | Assembly, Hinge And Pin      |
| "    | <a href="#">W10158268</a> |                           |        | Assembly, Hinge And Pin      |

|    |                           |                           |                               |
|----|---------------------------|---------------------------|-------------------------------|
| 16 | 3392100                   | <a href="#">49621</a>     | Feet-Leveling                 |
| "  | <a href="#">279810</a>    |                           | Foot-Optional                 |
| 17 | 342055                    | <a href="#">488627</a>    | Screw                         |
| 18 | W10183827                 | <a href="#">W10223154</a> | Cabinet                       |
| "  | W10183832                 | <a href="#">W10223156</a> | Cabinet                       |
| 19 | <a href="#">W10007520</a> |                           | Clip, Ground                  |
| 20 | <a href="#">8576625</a>   |                           | Lock, Front Top               |
| 21 | 8565033                   | <a href="#">W10174287</a> | Panel                         |
| "  | <a href="#">W10161496</a> |                           | Panel, Front                  |
| 22 | <a href="#">8564011</a>   |                           | Bracket-Switch                |
| 23 | <a href="#">3404413</a>   |                           | Plug, Hinge Hole              |
| "  | <a href="#">W10144494</a> |                           | Plug-Hole                     |
| 24 | 8572982                   | <a href="#">W10111905</a> | Assembly, Door Catch          |
| 25 | W10130493                 | <a href="#">W10239307</a> | Seal-Door                     |
| 26 | <a href="#">308499</a>    |                           | Nut-1/4 Hf Self-Thread        |
| 27 | <a href="#">8539897</a>   |                           | Jumper,                       |
| 28 | <a href="#">W10100830</a> |                           | Screw, 10-16 X 3/64           |
| 29 | <a href="#">8539897</a>   |                           | Jumper,                       |
| 30 | <a href="#">8565037</a>   |                           | Door Inner                    |
| 31 | <a href="#">W10116925</a> |                           | Door, Outer                   |
| "  | <a href="#">W10158278</a> |                           | Door Outer                    |
| 32 | W10111246                 | <a href="#">W10119087</a> | Handle                        |
| "  | <a href="#">W10159437</a> |                           | Handle, Door                  |
| 33 | <a href="#">W10044490</a> |                           | Seal, Front Panel             |
| 34 | <a href="#">8564457</a>   |                           | Plug, Front Panel             |
| "  | W10158267                 | <a href="#">W10223145</a> | Panel                         |
| 35 | 344020                    | <a href="#">3401402</a>   | Cord, Power                   |
| 36 | <a href="#">3394083</a>   |                           | Clip, Front Panel             |
| 37 | 238088                    | <a href="#">8066217</a>   | Hinge, Top                    |
| 38 | <a href="#">8547174</a>   |                           | Idler And Pulley Assembly     |
| 39 | <a href="#">8547168</a>   |                           | Belt, Drive                   |
| 40 | <a href="#">8547166</a>   |                           | Base, Motor                   |
| 41 | <a href="#">W10002600</a> |                           | Screw, 6-20 X 1 1/4           |
| 42 | <a href="#">8578565</a>   |                           | Pulley, 60 Hz                 |
| 43 | 8566152                   | <a href="#">W10463866</a> | Motor-Drve                    |
| 44 | <a href="#">W10121316</a> |                           | Plug, Multivent               |
| 45 | <a href="#">W10183825</a> |                           | Burner, Assembly 60 Hz        |
| 46 | <a href="#">W10076060</a> |                           | Gasket, Inner Door            |
| 47 | <a href="#">8575030</a>   |                           | Window, Outer Door            |
| "  | <a href="#">W10158281</a> |                           | Window Outer                  |
| 48 | <a href="#">W10157932</a> |                           | Seal, Foam Cabinet            |
| 49 | <a href="#">W10121334</a> |                           | Washer, Thrust                |
| 50 | <a href="#">8564010</a>   |                           | Assembly, Switch And Actuator |