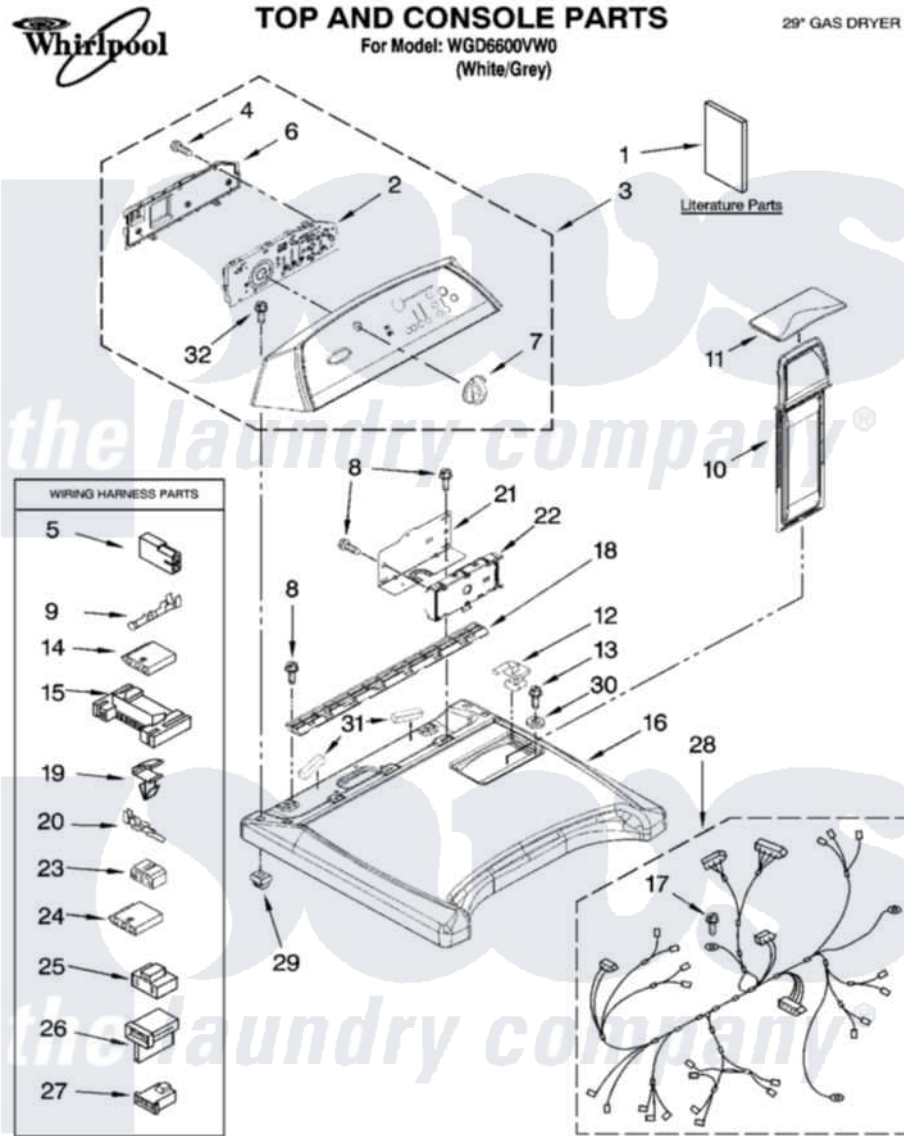


Whirlpool WGD6600VW0 01 - TOP AND CONSOLE PARTS



03-08 Litho in U.S.A. (LT)

1

Part No. W10186658 Rev. A

[Whirlpool Residential Whirlpool WGD6600VW0 Dryer Parts](#) Parts Diagram 01 - TOP AND CONSOLE PARTS
 Click on the part number to view part

| Item | Original Part Number | Replaced By | Status | Part Description |
|------|---------------------------|-------------|---------------|--|
| 1 | W10150650 | | Not Available | Guide, Quick Start |
| " | W10164752 | | Not Available | Guide, Quick Start |
| " | W10156038 | | Not Available | Wiring Diagram |
| " | W10166439 | | Not Available | Performance, Tip Sheet |
| " | W10139322 | | Not Available | TIP SHEET DRYER STEAM |
| " | BLANK | | Not Available | Following May Be Purchased DO-IT-YOURSELF REPAIR MANUALS |
| " | 677818 | | Not Available | Manual, Do-It- Yourself Repair (Dryer) |
| 2 | W10051165 | | | Assembly, User Interface |
| 3 | W10146153 | | | Console Assembly |
| 4 | W10003770 | | | Screw, 6-19 X 1/2 |
| 5 | 717252 | | | Receptacle, Terminal |
| 6 | 8564265 | | | Cover, Rear- User Interface |
| 7 | 8574957 | | | Knob, Assembly |
| 8 | 337686 | | Not Available | SCREW, 8-18 X .500 |

| | | | |
|----|---------------------------|-------------------------|-------------------------------|
| 9 | 94614 | | Terminal |
| 10 | 8572270 | | Assembly, Lint Screen |
| 11 | W10168227 | | Cover, Lint Screen |
| 12 | W10044470 | | Hinge, RH |
| " | W10044480 | | Hinge, L.H. |
| 13 | 3196537 | 3196557 | Panel, Manifold |
| 14 | 3936144 | | Do-It-Yourself Repair Manuals |
| 15 | 3395683 | | Receptacle, Multi-Terminal |
| 16 | W10167866 | | Top Assembly |
| 17 | 343641 | 681414 | Screw, 10AB X 1/2 |
| 18 | 8558863 | | Bracket, Console |
| 19 | 3394427 | | Clip-Harness |
| 20 | 94613 | 596797 | Terminal |
| 21 | 8563853 | | Bracket, Machine Controller |
| 22 | W10111616 | | Control, Electronic |
| 23 | 3347243 | | Block, Disconnect |
| 24 | 353424 | | Plug, Terminal |
| 25 | 3401144 | | Connector |
| 26 | 3403499 | | Connector, 2-Position |
| 27 | 3403498 | | Connector, 3-Position |
| 28 | W10141981 | | Harness, Wiring |
| 29 | W10112673 | | Screw, Grommet |
| 30 | 237446 | 487596 | Washer |
| 31 | W10183819 | | Seal-Foam Console |
| 32 | W10131402 | | Screw, 8-18 X 1.370 |

