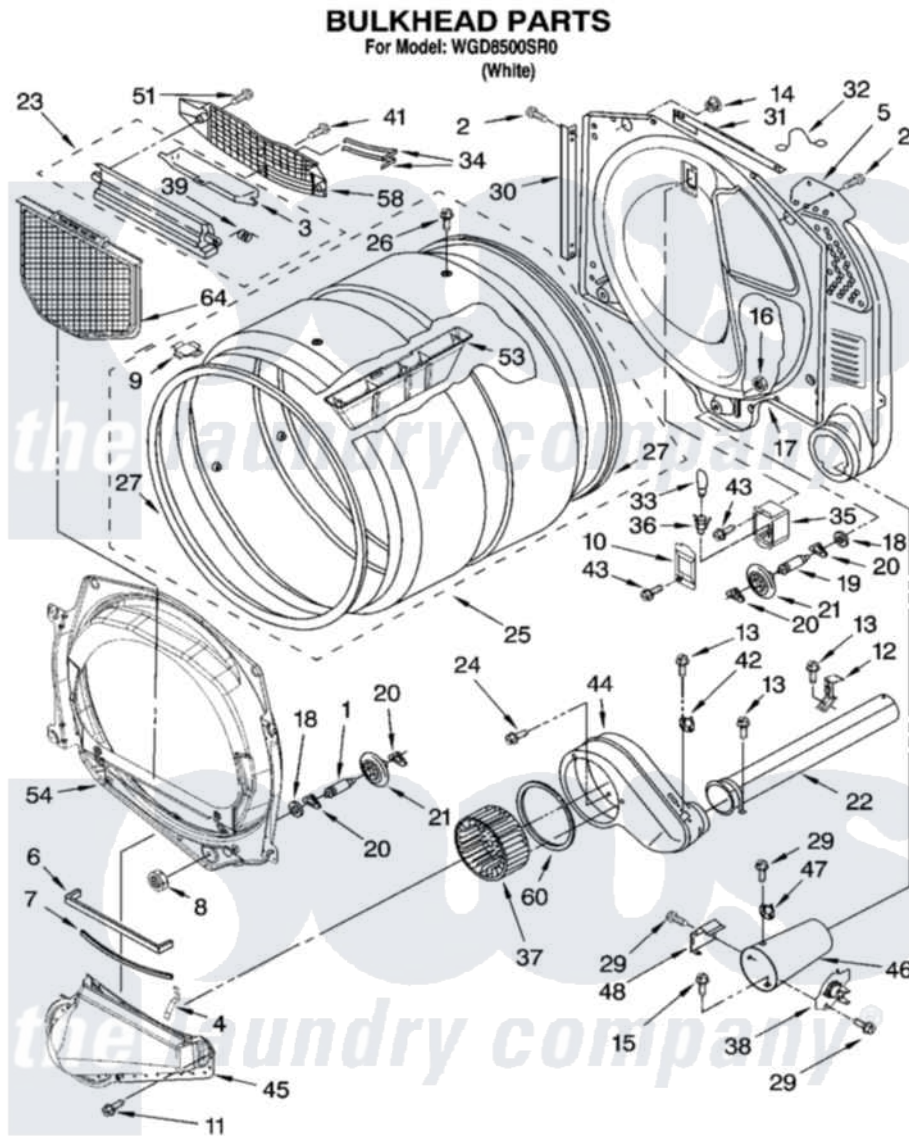


Whirlpool WGD8500SR0 03 - BULKHEAD PARTS



8181283

5

Whirlpool [Residential Whirlpool WGD8500SR0 Dryer Parts](#) Parts Diagram 03 - BULKHEAD PARTS
 Click on the part number to view part

Item	Original Part Number	Replaced By	Status	Part Description
1	8575325	W10359272		Shaft, Roller Drum Threads
2	3390647	488729		Screw
3	8563758			Door, Lint Screen
4	8066208			Clip-Exhaust
5	3394346			Air Duct Assembly
6	697813			Seal, Outlet Housing
7	697814	697813		Seal, Outlet Housing
8	3934666	W10080210		Nut, 3/8 X 16
9	8066086			Plug, Drum Hole
10	3402841	8532165		Lens, Drum Light
11	359625	487240		Screw, For Mtg. Service Capacitor
12	8572105			Retainer, Toe Panel
13	8533971	90767		Screw, 8A X 3/8 HeX Washer Head Tapping
14	8529007			Plug, Rear Bulkhead
15	693995			Screw, Hex Head

16	W10001120	W10080190	Nut, 3/8-16
17	8520836		Bulkhead, Rear
18	3387459	W10080960	Washer, Support
19	8575324	W10359271	Shaft, Drum Roller Threads
20	690997		Washer, Thrust
21	8536973	W10314173	Support
22	8563728		Exhaust Pipe
23	8563755		Housing, Outlet Assembly
24	489463		Screw, 8-18 X 1/16
25	8563735		Complete Drum Assembly
26	97787	W10109200	Screw, Baffle Mounting
27	697694	280114	Seal
29	90767		Screw, 8A X 3/8 HeX Washer Head Tapping
30	8519221	W10118335	Channel Bracket, Rear Bulkhead
31	8571651	W10118337	Bracket-Bulkhead Upper Mounting
32	3401707		Jumper, Tco-High Limit
33	3406124	22002263	Lamp
34	3387223		Electrode, Sensor
35	8578825		Bracket, Drum Light
36	3403634	W10136369	Socket, Drum Light Assembly
37	697772		Wheel, Blower
38	8573713		Thermal-Cutoff
39	3394986		Spring, Lint Screen Door
41	695240	488729	Screw
42	8577274		Thermostat 295F
43	487909	488729	Screw
44	8544362	W10119255	Housing, Blower
45	8066168	W10128606	Duct-Lint
46	8573824		Funnel, Burner
47	8573028		Thermostat, High-Limit 205 F
48	338906		Radiant, Sensor
51	3387230		Screw, 10-16 X 13/16
53	8565733		Baffle, Drum
54	8565061		Bulkhead, Front
58	8563756		Grille, Outlet
60	697770		Seal, Cover Plate Blower Housing
64	W10049370	W10120998	Screen