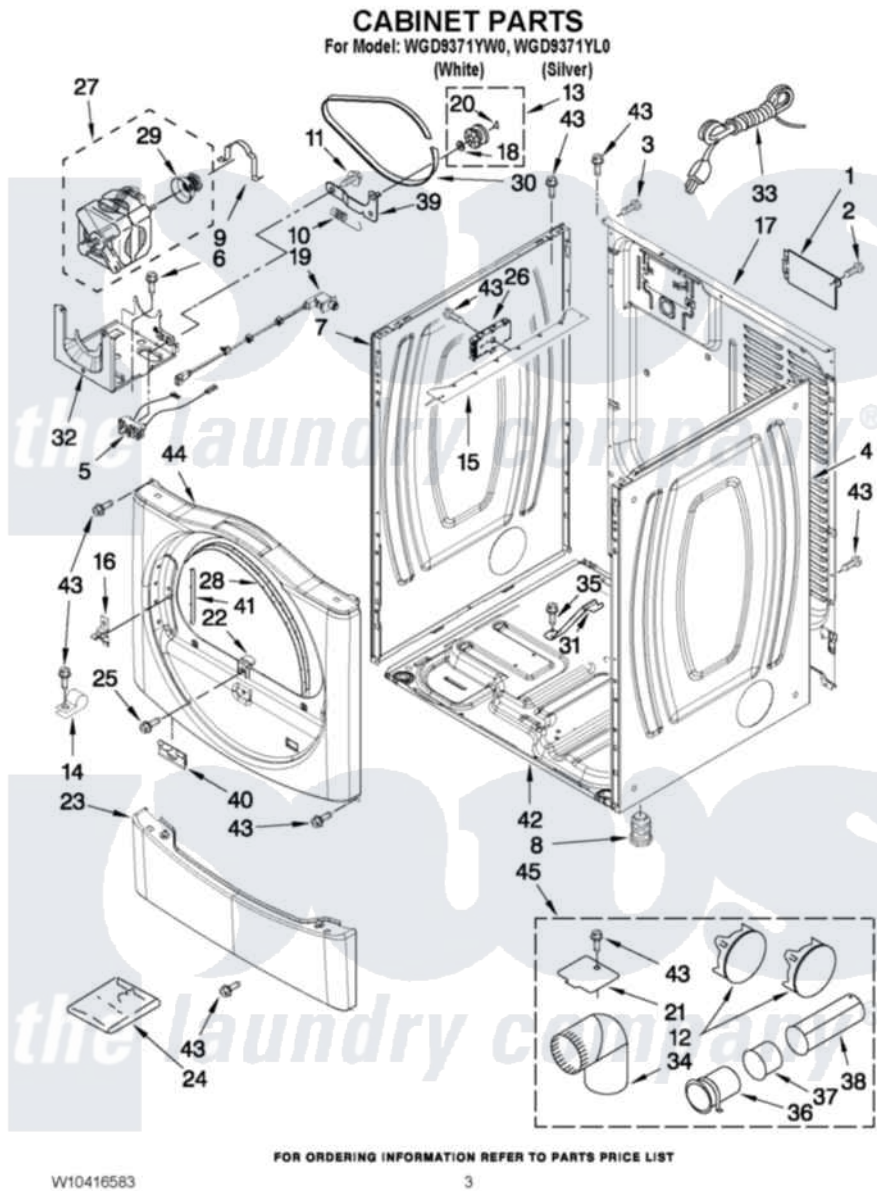


Whirlpool WGD9371YL0 02 - CABINET PARTS



Whirlpool [Residential Whirlpool WGD9371YL0 Dryer Parts](#) Parts Diagram 02 - CABINET PARTS
Click on the part number to view part

| Item | Original Part Number | Replaced By | Status | Part Description |
|------|---------------------------|---------------------------|--------|-----------------------------------------|
| 1 | 8317340 | | | Cover, Terminal Block |
| 2 | 3390814 | 90767 | | Screw, 8A X 3/8 HeX Washer Head Tapping |
| 3 | 8533974 | 4331106 | | Screw, No.10-32 X 7/16 |
| 4 | 8565048 | | | Panel, Side |
| " | W10251219 | | | Panel, Side |
| 5 | W10246525 | W10314253 | | Switch, Assembly Broken Belt |
| 6 | 343641 | 681414 | | Screw, 10AB X 1/2 |
| 7 | 8565054 | | | Panel, Side |
| " | W10251218 | | | Panel, Side |
| 8 | 3392100 | 49621 | | Feet-Leveling |
| NI | 279810 | | | Foot-Optional |
| 9 | 660658 | | | Clamp, Motor Mounting 343481 685441 |
| 10 | 3387374 | | | Spring, Idler |
| 11 | 3389420 | | | Retainer-Idler 1/4-20 X 1/16 |
| 12 | 49252 | | | Plug, Multivent |

| | | | |
|----|---------------------------|---------------------------|------------------------------------|
| 13 | 3388672 | 279640 | Pulley-ldr |
| 14 | 3978776 | | Bracket, Gas Pipe Switch |
| 15 | 8563727 | | Bracket, Control |
| 16 | 8565122 | | Strike, Door |
| 17 | W10281297 | | Panel, Rear |
| 18 | W10121334 | | Washer, Thrust |
| 19 | W10318609 | | Switch, Assembly Door |
| 20 | W10121334 | | Washer, Thrust |
| 21 | 8066115 | 3394331 | Plate Cover |
| 22 | 8580015 | | Ramp, Door |
| 23 | 8540621 | | Panel, Toe |
| " | W10251210 | | Toe Panel |
| 24 | 8572546 | | Odor Remover |
| 25 | 3357011 | 308685 | Side Trim) |
| 26 | W10317634 | W10405846 | Control-Elec |
| 27 | 8538263 | 279787 | Motor-Drve |
| 28 | 3387242 | | Seal, Front Panel |
| 29 | 8578220 | | Pulley, Motor |
| 30 | 3387610 | 661570 | Belt |
| 31 | 8529757 | | Bracket, Burner |
| 32 | W10242878 | | Bracket, Motor Mounting |
| 33 | 3401401 | 3401402 | Cord, Power |
| 34 | 49026 | | 4" - 90° Elbow |
| 35 | 693995 | | Screw, Hex Head |
| 36 | 8563747 | | Exhaust Pipe Medium Pipe |
| 37 | 8563750 | | Exhaust Pipe |
| 38 | 8563749 | | Exhaust Pipe |
| 39 | 3388674 | W10118756 | Idler Bracket |
| 40 | 8519459 | | Clip, Toe Panel |
| 41 | W10085210 | | Label-Hinge Hole Cover Front Panel |
| " | W10085230 | | Label, Hinge Hole Cover |
| 42 | 8565046 | | (BROKEN BELT BASE, CABINET SWITCH) |
| 43 | 3390647 | 488729 | Screw |
| 44 | 8580257 | | Front Panel |
| " | W10251204 | | Front Panel |
| NI | W10331132 | | Dryer Exhaust Kit |

