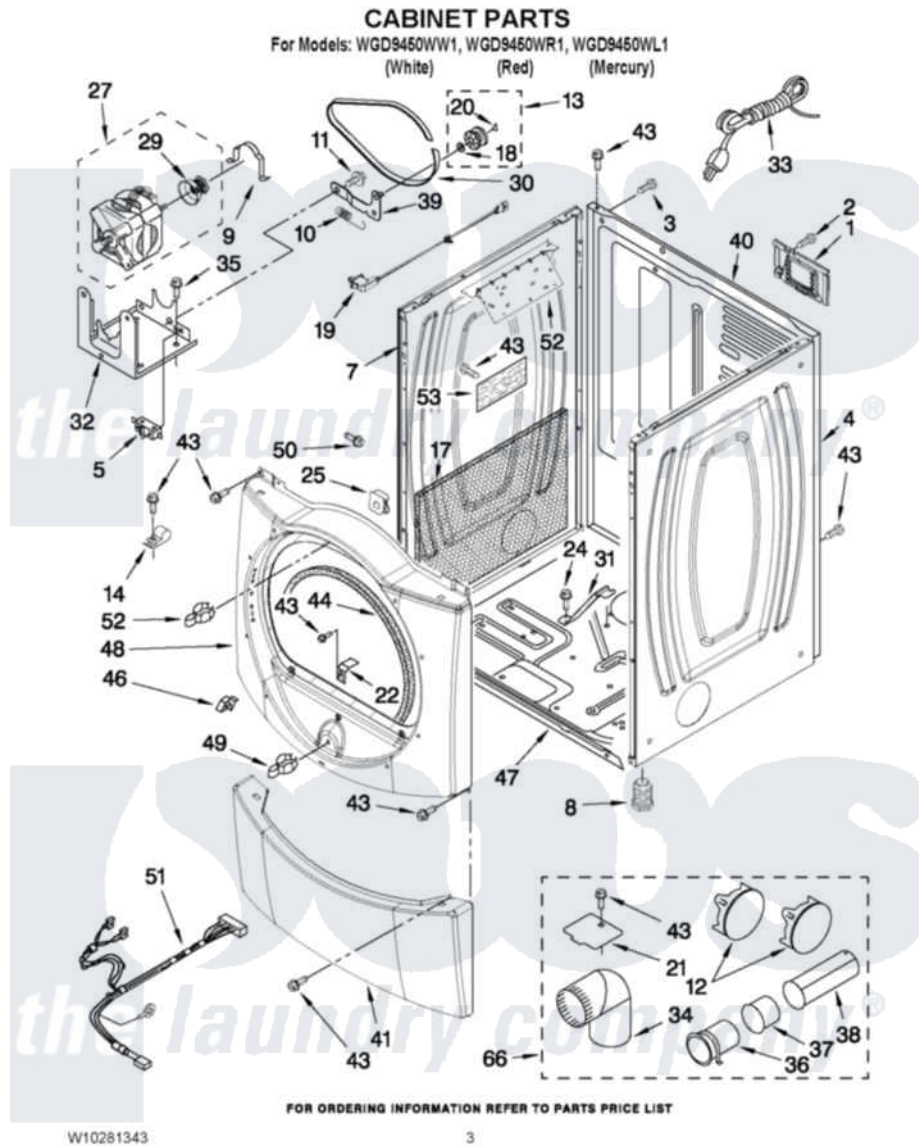


# Whirlpool WGD9450WL1 02 - CABINET PARTS



Whirlpool Residential Whirlpool WGD9450WL1 Dryer Parts Parts Diagram 02 - CABINET PARTS  
Click on the part number to view part

| Item | Original Part Number      | Replaced By               | Status | Part Description                        |
|------|---------------------------|---------------------------|--------|---|
| 1    | <a href="#">8317340</a>   |                           |        | Cover, Terminal Block                   |
| 2    | 3390814                   | <a href="#">90767</a>     |        | Screw, 8A X 3/8 HeX Washer Head Tapping |
| 3    | 98139                     | <a href="#">303776</a>    |        | Screw                                   |
| 4    | <a href="#">W10192446</a> |                           |        | Panel, Side                             |
| "    | <a href="#">W10249769</a> |                           |        | Panel, Side                             |
| "    | <a href="#">W10249725</a> |                           |        | Panel, Side                             |
| 5    | 3394881                   | <a href="#">279782</a>    |        | Switch-Lid                              |
| 7    | <a href="#">W10192435</a> |                           |        | Panel, Side                             |
| "    | <a href="#">W10249768</a> |                           |        | Panel, Side                             |
| "    | <a href="#">W10249727</a> |                           |        | Panel, Side                             |
| 8    | 3392100                   | <a href="#">49621</a>     |        | Feet-Leveling                           |
| NI   | <a href="#">279810</a>    |                           |        | Foot-Optional                           |
| 9    | <a href="#">W10121316</a> |                           |        | Plug, Multivent                         |
| 10   | <a href="#">3387374</a>   |                           |        | Spring, Idler                           |
| 11   | <a href="#">3389420</a>   |                           |        | Retainer-Idler 1/4-20 X 1/16            |
| 12   | 697750                    | <a href="#">W10470674</a> |        | Dryer Exhaust Kit                       |

|    |                           |                           |   |
|----|---------------------------|---------------------------|---|
| "  | W10151499                 | <a href="#">W10404617</a> | Plug, Multivent                         |
| 13 | 3388672                   | <a href="#">279640</a>    | Pulley-ldr                              |
| 14 | <a href="#">3978776</a>   |                           | Bracket, Gas Pipe Switch                |
| 17 | W10128772                 | <a href="#">8564134</a>   | Board, Sound Dampening                  |
| 18 | <a href="#">W10121334</a> |                           | Washer, Thrust                          |
| 19 | W10128087                 | <a href="#">W10318609</a> | Switch, Assembly Door                   |
| 20 | <a href="#">690997</a>    |                           | Washer, Thrust                          |
| 21 | 8066115                   | <a href="#">3394331</a>   | Plate Cover                             |
| 22 | <a href="#">8529053</a>   |                           | Ramp, Door Door Switch                  |
| 24 | <a href="#">693995</a>    |                           | Screw, Hex Head                         |
| 25 | <a href="#">62825</a>     |                           | Clip-S Type Control Board               |
| 27 | 8538263                   | <a href="#">279787</a>    | Motor-Drve                              |
| 29 | <a href="#">8578220</a>   |                           | Pulley, Motor                           |
| 30 | 3387610                   | <a href="#">661570</a>    | Belt                                    |
| 31 | <a href="#">8529757</a>   |                           | Bracket, Burner                         |
| 32 | <a href="#">3387118</a>   |                           | Bracket, Motor                          |
| 33 | 3401401                   | <a href="#">3401402</a>   | Cord, Power                             |
| 34 | <a href="#">49026</a>     |                           | 4" - 90° Elbow                          |
| 35 | 343641                    | <a href="#">681414</a>    | Screw, 10AB X 1/2                       |
| 36 | <a href="#">8563747</a>   |                           | Exhaust Pipe Medium Pipe                |
| 37 | <a href="#">8563750</a>   |                           | Exhaust Pipe                            |
| 38 | <a href="#">8563749</a>   |                           | Exhaust Pipe                            |
| 39 | 3388674                   | <a href="#">W10118756</a> | Idler Bracket                           |
| 40 | W10180481                 | <a href="#">280036</a>    | Panel-Rear                              |
| 41 | W10116271                 | <a href="#">W10246269</a> | Panel, Toe                              |
| "  | W10250673                 | <a href="#">W10259607</a> | Toe, Panel                              |
| "  | W10249737                 | <a href="#">W10259606</a> | Panel, Toe                              |
| 43 | 3390647                   | <a href="#">488729</a>    | Screw                                   |
| 44 | <a href="#">3387242</a>   |                           | Seal, Front Panel                       |
| 46 | <a href="#">8519459</a>   |                           | Clip, Toe Panel                         |
| 47 | <a href="#">W10239098</a> |                           | Front Panel                             |
| 48 | <a href="#">W10180423</a> |                           | Front Panel                             |
| "  | <a href="#">W10250670</a> |                           | Front Panel                             |
| "  | <a href="#">W10249726</a> |                           | Front Panel                             |
| 49 | 696144                    | <a href="#">279570</a>    | Latch                                   |
| 50 | <a href="#">90767</a>     |                           | Screw, 8A X 3/8 HeX Washer Head Tapping |
| 51 | <a href="#">W10181464</a> |                           | Harness, Digital Interface              |
| 52 | <a href="#">8563727</a>   |                           | Bracket, Control                        |
| 53 | <a href="#">W10169969</a> |                           | Board, Control                          |
| NI | 279818                    | <a href="#">W10470674</a> | Dryer Exhaust Kit                       |
| "  | W10186596                 | <a href="#">W10470674</a> | Dryer Exhaust Kit                       |