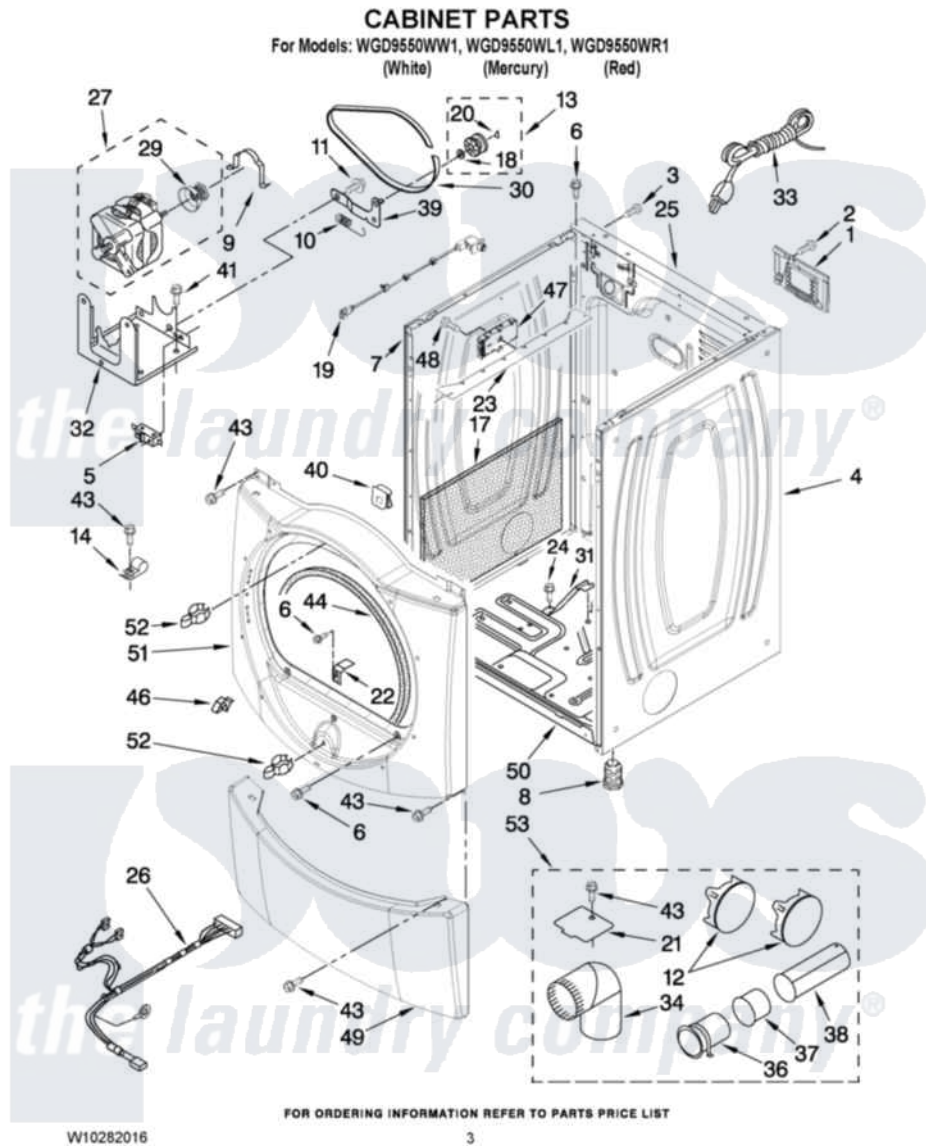


Whirlpool WGD9550WR1 02 - CABINET PARTS



Whirlpool [Residential Whirlpool WGD9550WR1 Dryer Parts](#) Parts Diagram 02 - CABINET PARTS
Click on the part number to view part

Item	Original Part Number	Replaced By	Status	Part Description
1	8317340			Cover, Terminal Block
2	3390814	90767		Screw, 8A X 3/8 HeX Washer Head Tapping
3	8533974	4331106		Screw, No.10-32 X 7/16
4	W10192446			Panel, Side
"	W10249769			Panel, Side
"	W10249725			Panel, Side
5	W10246525	W10314253		Switch, Assembly Broken Belt
6	3357011	308685		Side Trim)
7	W10192435			Panel, Side
"	W10249768			Panel, Side
"	W10249727			Panel, Side
8	3392100	49621		Feet-Leveling
"	279810			Foot-Optional
9	W10121316			Plug, Multivent
10	3387374			Spring, Idler
11	3389420			Retainer-Idler 1/4-20 X 1/16

12	49252		Plug, Multivent
"	W10121316		Plug, Multivent
13	3388672	279640	Pulley-ldr
14	3978776		Bracket, Gas Pipe Switch
17	W10123956		Dampening Panel
18	W10121334		Washer, Thrust
19	W10128087	W10318609	Switch, Assembly Door
20	690997		Washer, Thrust
21	8066115	3394331	Plate Cover
22	8529053		Ramp, Door Door Switch
23	8563727		Bracket, Control
24	693995		Screw, Hex Head
25	W10180481	280036	Panel-Rear
26	W10242903		Harness, Digital Interface
27	8538263	279787	Motor-Drve
29	8578220		Pulley, Motor
30	3387610	661570	Belt
31	8529757		Bracket, Burner
32	W10242878		Bracket, Motor Mounting
33	3401401	3401402	Cord, Power
34	49026		4" - 90° Elbow
36	8563747		Exhaust Pipe Medium Pipe
37	8563750		Exhaust Pipe
38	8563749		Exhaust Pipe
39	3388674	W10118756	Idler Bracket
40	62825		Clip-S Type Control Board
41	343641	681414	Screw, 10AB X 1/2
43	3390647	488729	Screw
44	3387242		Seal, Front Panel
46	8519459		Clip, Toe Panel
47	W10256719		Board, Control
48	90767		Screw, 8A X 3/8 HeX Washer Head Tapping
49	W10246269		Panel, Toe
"	W10259607		Toe, Panel
"	W10259606		Panel, Toe
50	W10239098		Front Panel
51	W10180423		Front Panel
"	W10250670		Front Panel
"	W10249726		Front Panel
52	696144	279570	Latch
53	279818	W10470674	Dryer Exhaust Kit
"	W10186596	W10470674	Dryer Exhaust Kit