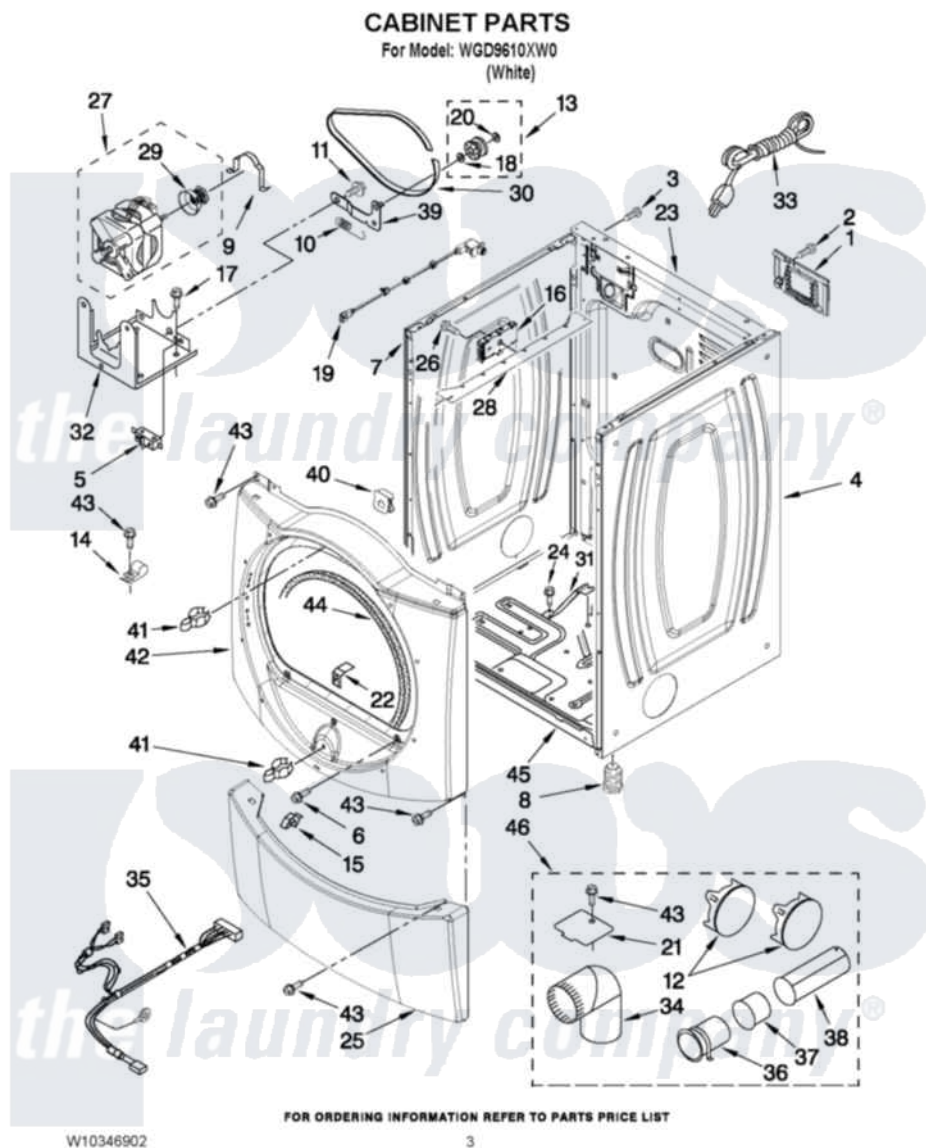


Whirlpool WGD9610XW0 02 - CABINET PARTS



Whirlpool [Residential Whirlpool WGD9610XW0 Dryer Parts](#) Parts Diagram 02 - CABINET PARTS
Click on the part number to view part

Item	Original Part Number	Replaced By	Status	Part Description
1	8317340			Cover, Terminal Block
2	3390814	90767		Screw, 8A X 3/8 HeX Washer Head Tapping
3	8533974	4331106		Screw, No.10-32 X 7/16
4	W10192446			Panel, Side
5	W10246525	W10314253		Switch, Assembly Broken Belt
6	3357011	308685		Side Trim)
7	W10192435			Panel, Side
8	3392100	49621		Feet-Leveling
NI	279810			Foot-Optional
9	660658			Clamp, Motor Mounting 343481 685441
10	3387374			Spring, Idler
11	3389420			Retainer-Idler 1/4-20 X 1/16
12	49252			Plug, Multivent
"	W10151499	W10404617		Plug, Multivent
13	3388672	279640		Pulley-ldr

14	3978776		Bracket, Gas Pipe Switch
15	8519459		Clip, Toe Panel
16	W10256719		Board, Control
17	343641	681414	Screw, 10AB X 1/2
18	233520		Washer, Thrust
19	W10128087	W10318609	Switch, Assembly Door
20	W10121334		Washer, Thrust
21	8066115	3394331	Plate Cover
22	8529053		Ramp, Door Door Switch
23	W10247569		Panel, Rear
24	693995		Screw, Hex Head
25	W10246269		Panel, Toe
26	90767		Screw, 8A X 3/8 HeX Washer Head Tapping
27	8538263	279787	Motor-Drive
28	8563727		Bracket, Control
29	8578220		Pulley, Motor
30	3387610	661570	Belt
31	8529757		Bracket, Burner
32	W10242878		Bracket, Motor Mounting
33	3401401	3401402	Cord, Power
34	49026		4" - 90° Elbow
35	W10242903		Harness, Digital Interface
36	8563747		Exhaust Pipe Medium Pipe
37	8563750		Exhaust Pipe
38	8563749		Exhaust Pipe
39	3388674	W10118756	Idler Bracket
40	62825		Clip-S Type Control Board
41	696144	279570	Latch
42	W10180423		Front Panel
43	3390647	488729	Screw
44	3387242		Seal, Front Panel
45	W10239098		Front Panel
NI	W10331132		Dryer Exhaust Kit

