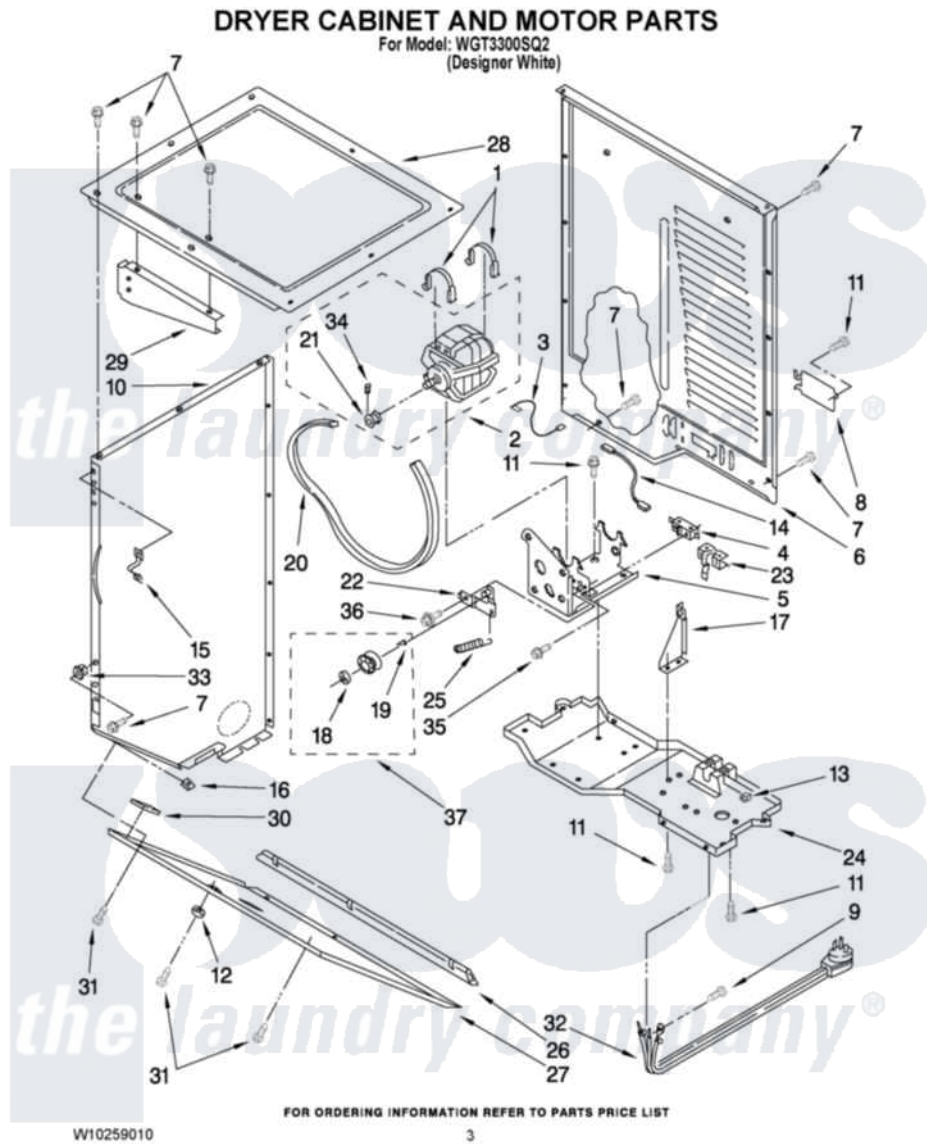


# Whirlpool WGT3300SQ2 03 - DRYER CABINET AND MOTOR PARTS



Whirlpool Residential Whirlpool WGT3300SQ2 Washer/Dryer Parts Parts Diagram 03 - DRYER CABINET AND MOTOR PARTS

Click on the part number to view part

Item	Original Part Number	Replaced By	Status	Part Description
1	<a href="#">W10121316</a>			Plug, Multivent
2	8538266	<a href="#">279811</a>		Motor-Drve
3	<a href="#">3398948</a>			Wire, Jumper
4	3394881	<a href="#">279782</a>		Switch-Lid
5	<a href="#">3388858</a>			Bracket, Motor
6	3389847	<a href="#">280039</a>		Panel
7	343641	<a href="#">681414</a>		Screw, 10AB X 1/2
8	3387673	<a href="#">279814</a>		Cover
9	8533971	<a href="#">90767</a>		Screw, 8A X 3/8 HeX Washer Head Tapping
10	<a href="#">3389264</a>			Panel, Side
"	<a href="#">3389256</a>			Panel, Side
11	<a href="#">3390631</a>			Screw, 10-16 X 3/8
12	<a href="#">3389431</a>			Bumper, Lid Stop
13	<a href="#">697438</a>			Clip
14	<a href="#">W10167612</a>			Wire, Broken Belt Switch

15	<a href="#">3389231</a>		Clip, Front Panel
16	<a href="#">98234</a>		Clip, U-Bend
17	<a href="#">3391639</a>		Bracket, Bulkhead
18	<a href="#">690997</a>		Washer, Thrust
19	<a href="#">W10121334</a>		Washer, Thrust
20	3387610	<a href="#">661570</a>	Belt
21	3391087	<a href="#">279811</a>	Motor-Drive
22	3389332	<a href="#">3389331</a>	Pulley, Idler
23	<a href="#">8066120</a>		Lever, Door Switch
24	<a href="#">3391668</a>		Base, Dryer
25	<a href="#">3387374</a>		Spring, Idler
26	<a href="#">3389683</a>		Cove, Transition Panel
27	<a href="#">3389272</a>		Panel, Transition
28	<a href="#">3389537</a>		Top, Dryer
29	<a href="#">3390722</a>		Shield, Console To Drum
30	<a href="#">3389682</a>		Space-Toe Panel User-Interface
31	<a href="#">693304</a>		Screw And Washer
32	694018	<a href="#">W10239314</a>	Cord, Power
33	<a href="#">692400</a>		Nut, Push-In
34	3394743	Not Available	Pin, Roll
35	<a href="#">98129</a>		Screw, 6-20 X 1 1/16
36	<a href="#">3389420</a>		Retainer-Idler 1/4-20 X 1/16
37	3388672	<a href="#">279640</a>	Pulley-ldr

