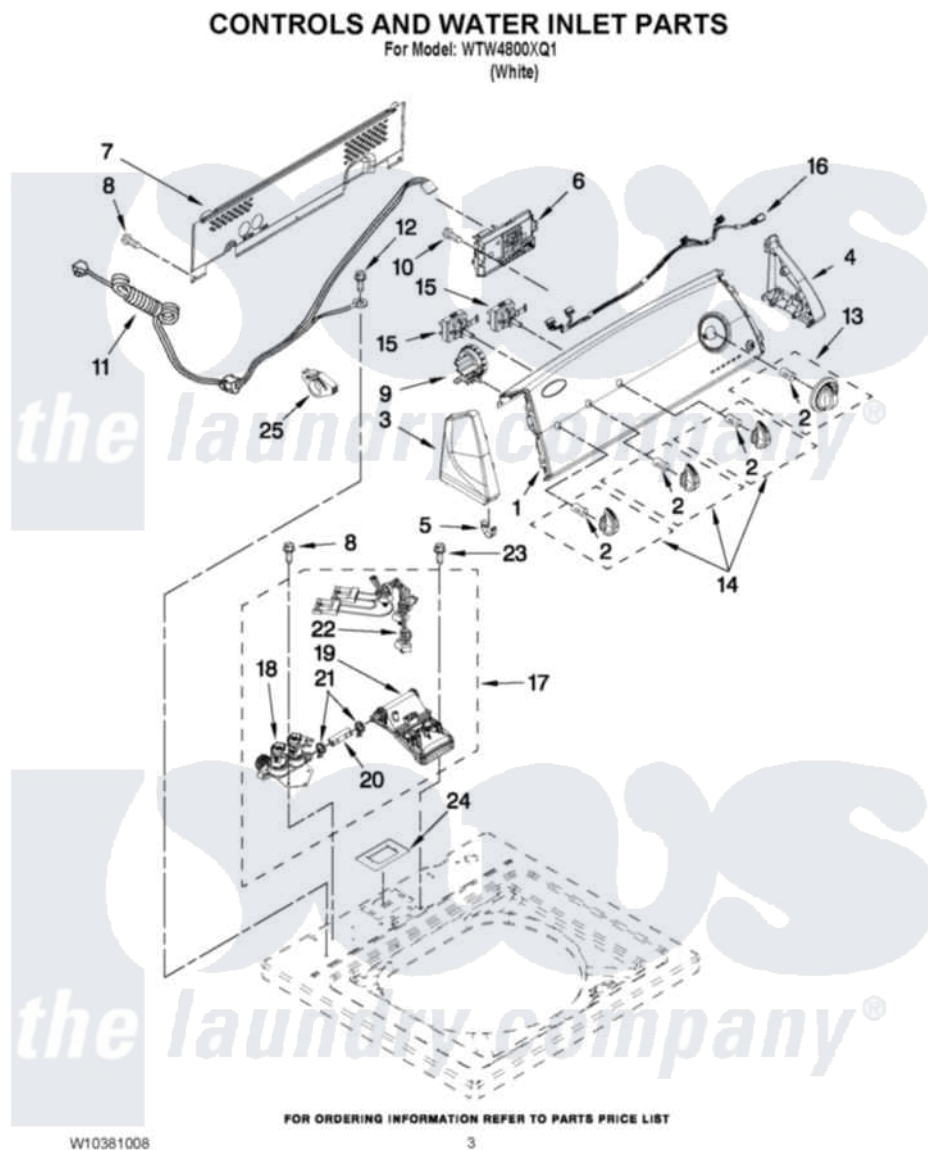


# Whirlpool WTW4800XQ1 02 - CONTROLS AND WATER INLET PARTS



Whirlpool [Residential Whirlpool WTW4800XQ1 Washer Parts](#) Parts Diagram 02 - CONTROLS AND WATER INLET PARTS

[Click on the part number to view part](#)

Item	Original Part Number	Replaced By	Status	Part Description
1	<a href="#">W10251314</a>			Panel, Console
2	<a href="#">8536939</a>			Clip, Knob
3	8566035	<a href="#">8565957</a>		Cap, End
4	8566032	<a href="#">8565954</a>		Cap, End
5	<a href="#">8312709</a>			Clip-Console
6	W10296052	<a href="#">W10393480</a>		Control-Elec
7	W10251310	<a href="#">W10420985</a>		Panel, Console Rear Cover
8	1157158	<a href="#">489069</a>		Xxscrew, 10-12 X 1/2
9	<a href="#">W10268911</a>			Hose, Pressure Switch
10	<a href="#">90767</a>			Screw, 8A X 3/8 HeX Washer Head Tapping
11	<a href="#">W10276649</a>			Cord, Power
12	<a href="#">3400076</a>			Screw, Bracket Mounting
13	<a href="#">W10034750</a>			Timer Knob Assembly
14	<a href="#">W10034380</a>			Knob, Control
15	<a href="#">W10285512</a>			Switch, Rotary Encoder

16	<a href="#">W10291174</a>		Harness, Upper
17	W10334612	<a href="#">W10432353</a>	Inlet Assembly, Water
18	W10337338	<a href="#">W10356257</a>	Valve, Water Mixing
19	W10334611	<a href="#">W10441423</a>	Vacuum Break
20	<a href="#">W10238347</a>		Hose, Vacuum Break
21	W10117298	<a href="#">596669</a>	Clamp, Manifold
22	W10337345	<a href="#">W10344775</a>	Harness, Valve
23	<a href="#">8281163</a>		Screw, Dispenser Housing Mounting
24	<a href="#">W10240973</a>		Foam, Ivvb
25	<a href="#">W10348582</a>		Cable Tie

