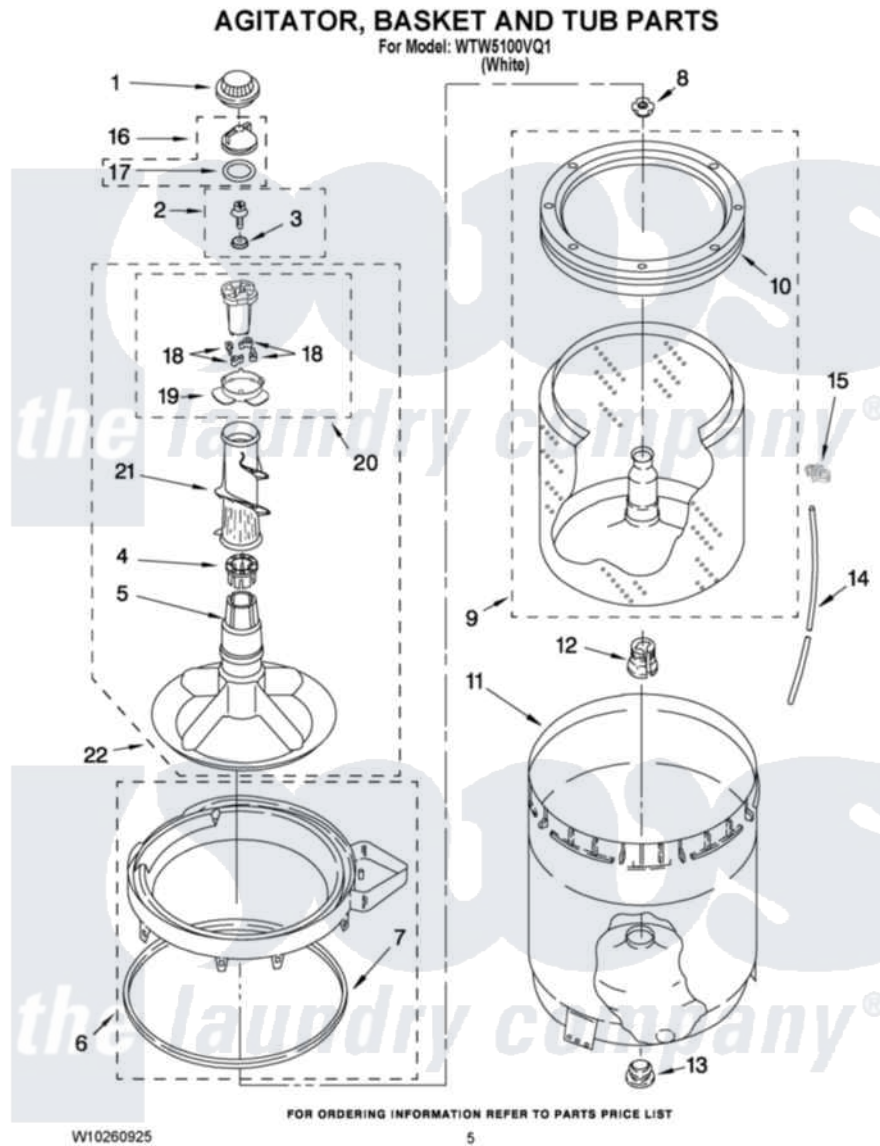


# Whirlpool WTW5100VQ1 03 - AGITATOR, BASKET AND TUB PARTS



Whirlpool [Residential Whirlpool WTW5100VQ1 Washer Parts](#) Parts Diagram 03 - AGITATOR, BASKET AND TUB PARTS

[Click on the part number to view part](#)

| Item | Original Part Number    | Replaced By               | Status | Part Description            |
|------|-------------------------|---------------------------|--------|-----------------------------|
| 1    | <a href="#">3355758</a> |                           |        | Cap, Agitator               |
| 2    | <a href="#">358237</a>  |                           |        | Screw And Washer            |
| 3    | <a href="#">3949550</a> |                           |        | Washer                      |
| 4    | 3350389                 | <a href="#">285587</a>    |        | Washer                      |
| 5    | <a href="#">3347288</a> |                           |        | Agitator                    |
| 6    | 8528150                 | <a href="#">W10445870</a> |        | Ring-Tub                    |
| 7    | <a href="#">3976308</a> |                           |        | Gasket, Tub Ring            |
| 8    | <a href="#">21366</a>   |                           |        | Nut, Spanner                |
| 9    | 8526016                 | <a href="#">W10389328</a> |        | Clothes Container, Assembly |
| 10   | <a href="#">387240</a>  |                           |        | Ring, Balance               |
| 11   | <a href="#">63849</a>   |                           |        | Strain Relief, Power Cord   |
| 12   | <a href="#">389140</a>  |                           |        | Tub Block, Basket Drive     |
| 13   | <a href="#">383727</a>  |                           |        | Gasket, Centerpod           |
| 14   | 3347780                 | <a href="#">353244</a>    |        | Hose, Pressure Switch       |
| 15   | <a href="#">2219077</a> |                           |        | Clip, Pressure Switch Hose  |
| 16   | 3354733                 | <a href="#">W10074580</a> |        | Cap, Barrier                |

|    |                           |                        |                     |
|----|---------------------------|------------------------|---------------------|
| 17 | <a href="#">W10072840</a> |                        | Fabric Softener     |
| 18 | 3366877                   | <a href="#">80040</a>  | Dog-Agitator        |
| 19 | <a href="#">3363661</a>   |                        | Bearing, Driven Cam |
| 20 | 3363663                   | <a href="#">285811</a> | Cam-Agitator        |
| 21 | <a href="#">3348752</a>   |                        | Mover, Clothes      |
| 22 | 3348117                   | <a href="#">285565</a> | Agitator            |

