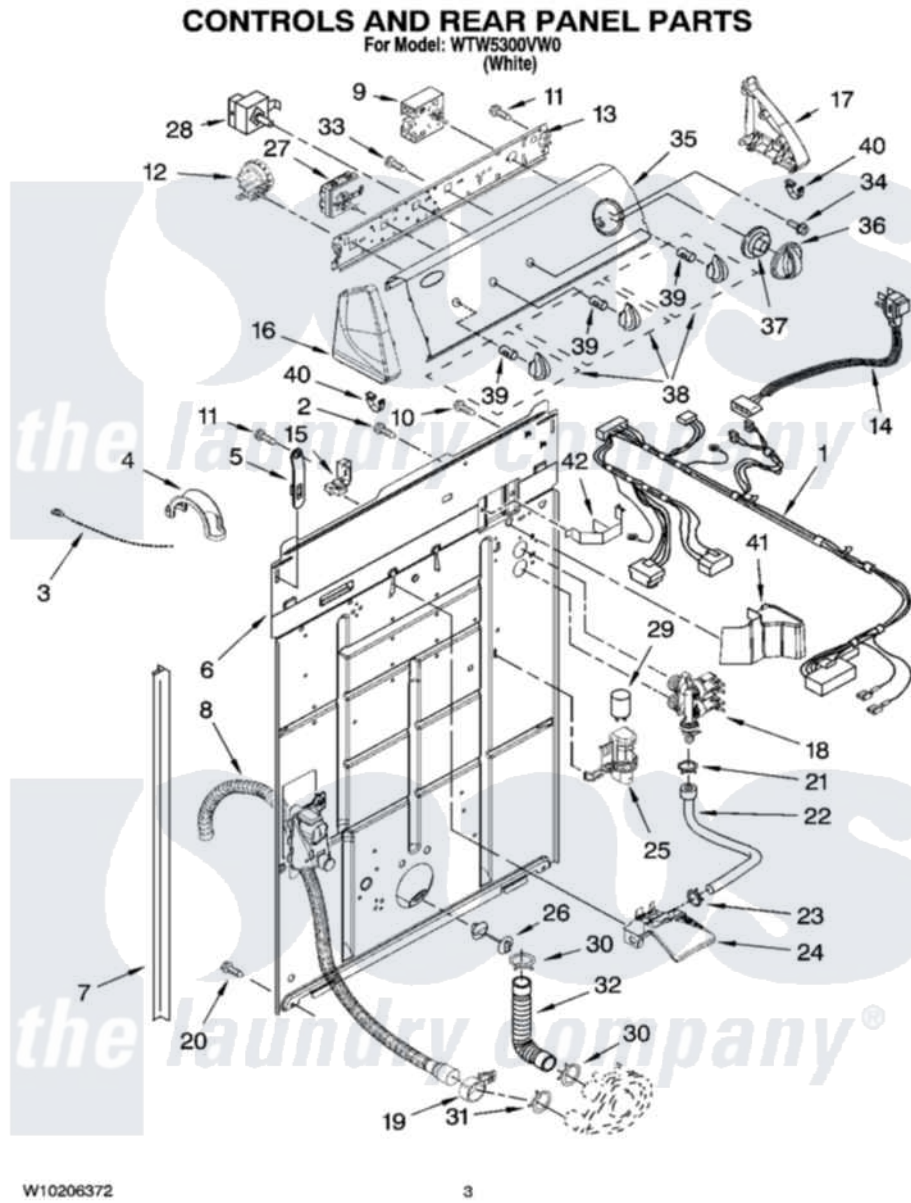


# Whirlpool WTW5300VW0 02 - CONTROLS AND REAR PANEL PARTS



Whirlpool Residential Whirlpool WTW5300VW0 Washer Parts Parts Diagram 02 - CONTROLS AND REAR PANEL PARTS

[Click on the part number to view part](#)

Item	Original Part Number	Replaced By	Status	Part Description
1	<a href="#">W10044160</a>			Wiring Harness
2	<a href="#">9740848</a>			Screw, Mixing Valve Mounting
3	3347868	<a href="#">W10339879</a>		Tie, Cable
4	<a href="#">8577378</a>			U-Bend, Drain Hose
5	<a href="#">8568314</a>			Strap, Console
6	<a href="#">W10194449</a>			Panel, Rear
7	<a href="#">62747</a>			Pad, Rear Panel
8	<a href="#">W10189267</a>			Drain Hose Assembly
9	<a href="#">8577356</a>			Timer, Control
10	<a href="#">3351614</a>			Screw, Gearcase Cover Mounting
11	<a href="#">90767</a>			Screw, 8A X 3/8 HeX Washer Head Tapping
12	8577843	<a href="#">W10337781</a>		Switch-WL
13	<a href="#">8566003</a>			Bracket, Control
14	8578842	<a href="#">285800</a>		Cord-Power

15	3952821	<a href="#">285777</a>	Relief-Str
16	8566035	<a href="#">8565957</a>	Cap, End
17	8566032	<a href="#">8565954</a>	Cap, End
18	3979347	<a href="#">3979346</a>	Valve, Water Inlet And Thermistor Assembly
19	<a href="#">8541668</a>		Clamp, Hose
20	62863	<a href="#">3390631</a>	Screw, 10-16 X 3/8
21	301958	<a href="#">596669</a>	Clamp, Manifold
22	<a href="#">W10190501</a>		Hose, Vacuum Break
23	370450	<a href="#">596669</a>	Clamp, Manifold
24	<a href="#">W10190514</a>		Break, Vacuum
25	<a href="#">8318046</a>		Clip, Capacitor
26	<a href="#">8519200</a>		Support, Rear Panel
27	<a href="#">W10184148</a>		Switch, Water Temperature
28	3949187	<a href="#">W10168262</a>	Switch, Rotary
29	<a href="#">8572717</a>		Capacitor, Motor Start
30	3363366	<a href="#">616099</a>	Clamp
31	8317496	<a href="#">285655</a>	Clamp, Hose
32	3951449	<a href="#">285871</a>	Hose
33	<a href="#">3400073</a>		Screw, Ground
34	<a href="#">3400818</a>		Screw, Timer Mounting
35	<a href="#">W10196930</a>		Panel, Console
36	<a href="#">W10034730</a>		Knob, Timer
37	<a href="#">8566018</a>		Dial,
38	<a href="#">W10034380</a>		Knob, Control
39	<a href="#">8536939</a>		Clip, Knob
40	<a href="#">8312709</a>		Clip-Console
41	<a href="#">8314879</a>		Shield, Inlet Valve
42	<a href="#">8055003</a>		Clip, Harness And Pressure Switch

