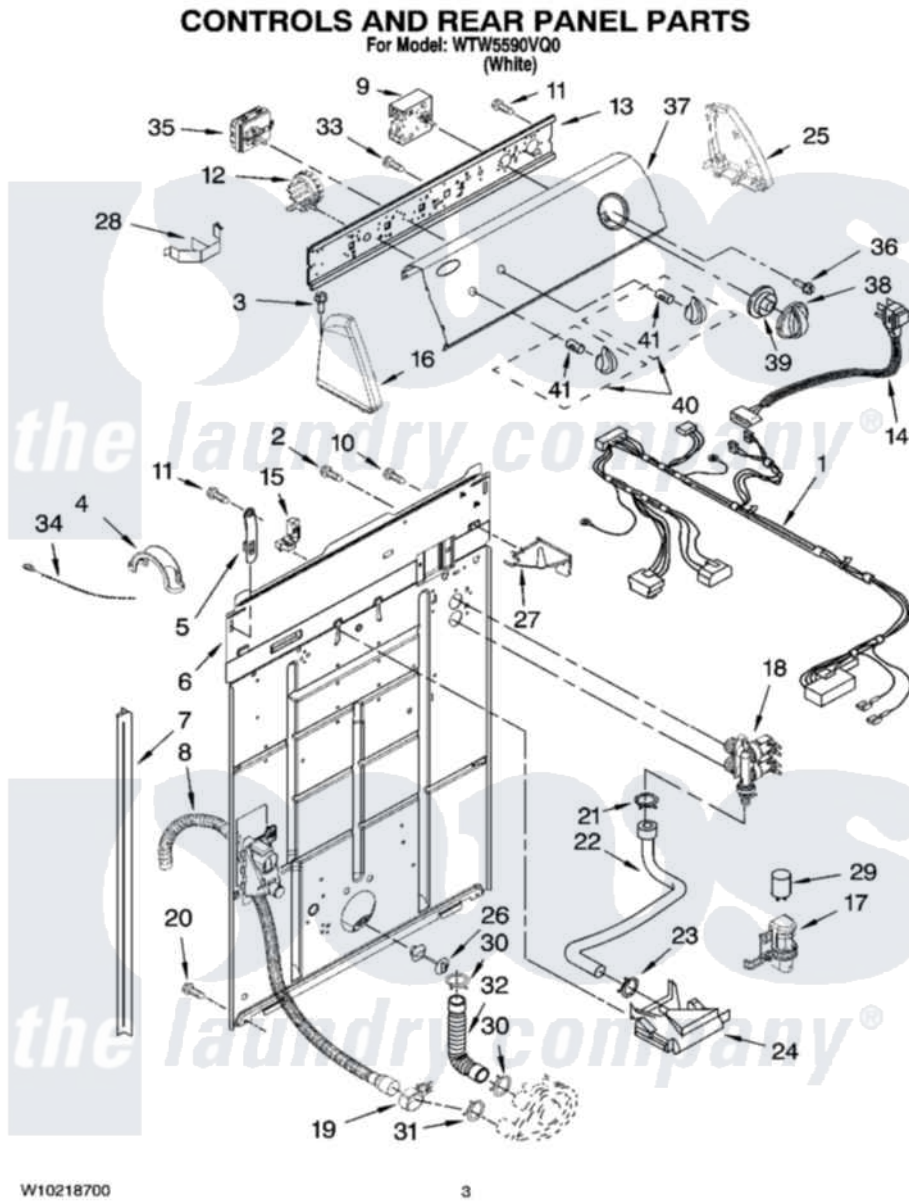


# Whirlpool WTW5590VQ0 02 - CONTROLS AND REAR PANEL PARTS



Whirlpool Residential Whirlpool WTW5590VQ0 Washer Parts Parts Diagram 02 - CONTROLS AND REAR PANEL PARTS

[Click on the part number to view part](#)

Item	Original Part Number	Replaced By	Status	Part Description
1	<a href="#">W10121435</a>			Harness, Wiring
2	<a href="#">9740848</a>			Screw, Mixing Valve Mounting
3	<a href="#">388326</a>			Screw, 8-18 X 1.25
4	<a href="#">8577378</a>			U-Bend, Drain Hose
5	<a href="#">8568314</a>			Strap, Console
6	<a href="#">W10194451</a>			Panel, Rear
7	<a href="#">62747</a>			Pad, Rear Panel
8	<a href="#">W10189267</a>			Drain Hose Assembly
9	<a href="#">8572976</a>			Timer, Control
10	<a href="#">3351614</a>			Screw, Gearcase Cover Mounting
11	<a href="#">90767</a>			Screw, 8A X 3/8 HeX Washer Head Tapping
12	8577844	<a href="#">W10339251</a>		Switch-WL
13	<a href="#">8544893</a>			Bracket, Control
14	8578842	<a href="#">285800</a>		Cord-Power

15	3952821	<a href="#">285777</a>	Relief-Str
16	8271365	<a href="#">279962</a>	Endcap
17	<a href="#">8318046</a>		Clip, Capacitor
18	3979347	<a href="#">3979346</a>	Valve, Water Inlet And Thermistor Assembly
19	<a href="#">8541668</a>		Clamp, Hose
20	62863	<a href="#">3390631</a>	Screw, 10-16 X 3/8
21	301958	<a href="#">596669</a>	Clamp, Manifold
22	8317974	<a href="#">8317926</a>	Hose, Vacuum Break
23	370450	<a href="#">596669</a>	Clamp, Manifold
24	387606	<a href="#">3360977</a>	Break-Vac
25	8271359	<a href="#">279962</a>	Endcap
26	<a href="#">8519200</a>		Support, Rear Panel
27	<a href="#">8539874</a>		Shield, Suds
28	<a href="#">8055003</a>		Clip, Harness And Pressure Switch
29	<a href="#">8572717</a>		Capacitor, Motor Start
30	3363366	<a href="#">616099</a>	Clamp
31	8317496	<a href="#">285655</a>	Clamp, Hose
32	3951449	<a href="#">285871</a>	Hose
33	<a href="#">3400073</a>		Screw, Ground
34	3347868	<a href="#">W10339879</a>	Tie, Cable
35	<a href="#">W10184148</a>		Switch, Water Temperature
36	<a href="#">3400818</a>		Screw, Timer Mounting
37	<a href="#">W10196923</a>		Panel, Console
38	<a href="#">8566022</a>		Knob, Timer
39	<a href="#">8566018</a>		Dial,
40	<a href="#">8565944</a>		Knob, Control
41	<a href="#">8536939</a>		Clip, Knob

*the laundry company*<sup>®</sup>

**WWS**  
*the laundry company*<sup>®</sup>