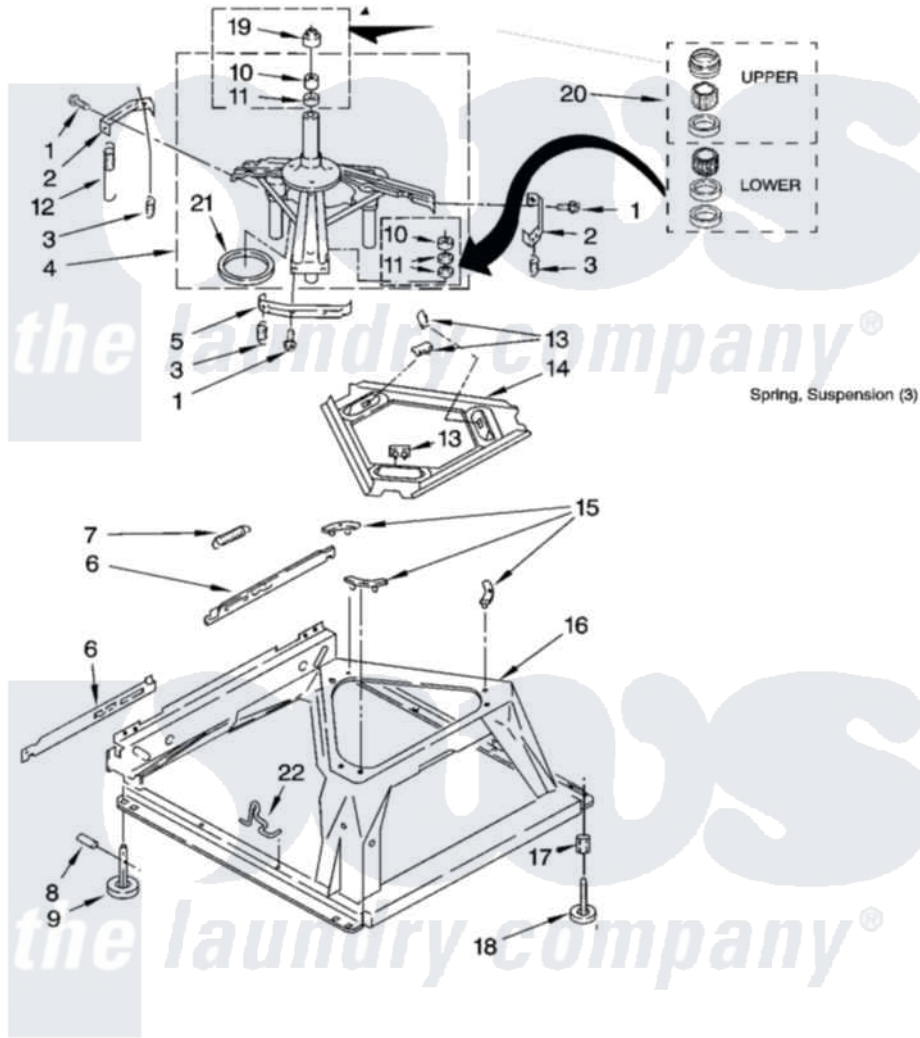


Whirlpool WTW5590VQ0 05 - MACHINE BASE PARTS

MACHINE BASE PARTS

For Model: WTW5590VQ0
(White)



8

W10218700

Whirlpool [Residential Whirlpool WTW5590VQ0 Washer Parts](#) Parts Diagram 05 - MACHINE BASE PARTS
Click on the part number to view part

| Item | Original Part Number | Replaced By | Status | Part Description |
|------|-------------------------|-------------------------|--------|--------------------------|
| 1 | 3400076 | | | Screw, Bracket Mounting |
| 2 | 64067 | | | Bracket, Spring Outer |
| 3 | 63907 | | | Spring, Suspension |
| 4 | 8575214 | 280184 | | Support |
| 5 | 64065 | | | Bracket, Spring Outer |
| 6 | 63466 | | | Link, Leveling Mechanism |
| 7 | 62597 | 8316845 | | Spring |
| 8 | 62837 | | | Pin, Knurled |
| 9 | 62596 | 285244 | | Feet-Leveling |
| 10 | 8546455 | | | Bearing, Centerpost |
| 11 | 357409 | 359449 | | Seal, Agitator Shaft |
| 12 | 8534035 | 285901 | | Spring |
| 13 | 62568 | 285219 | | Pad |
| 14 | 3946509 | | | Plate, Suspension |
| 15 | 3363660 | 285744 | | Pad |
| 16 | 3946512 | 285771 | | Base |

| | | |
|----|---------------------------|-----------------------------|
| 17 | 3359452 | Nut, Lock |
| 18 | W10001130 | Foot, Leveling |
| 19 | 8577376 | Seal, Centerpost |
| 20 | 285203 | Centerpost Bearing Kit |
| 21 | 63134 | Ring, Sound Deadening |
| 22 | W10145155 | Retainer, Suspension Spring |

