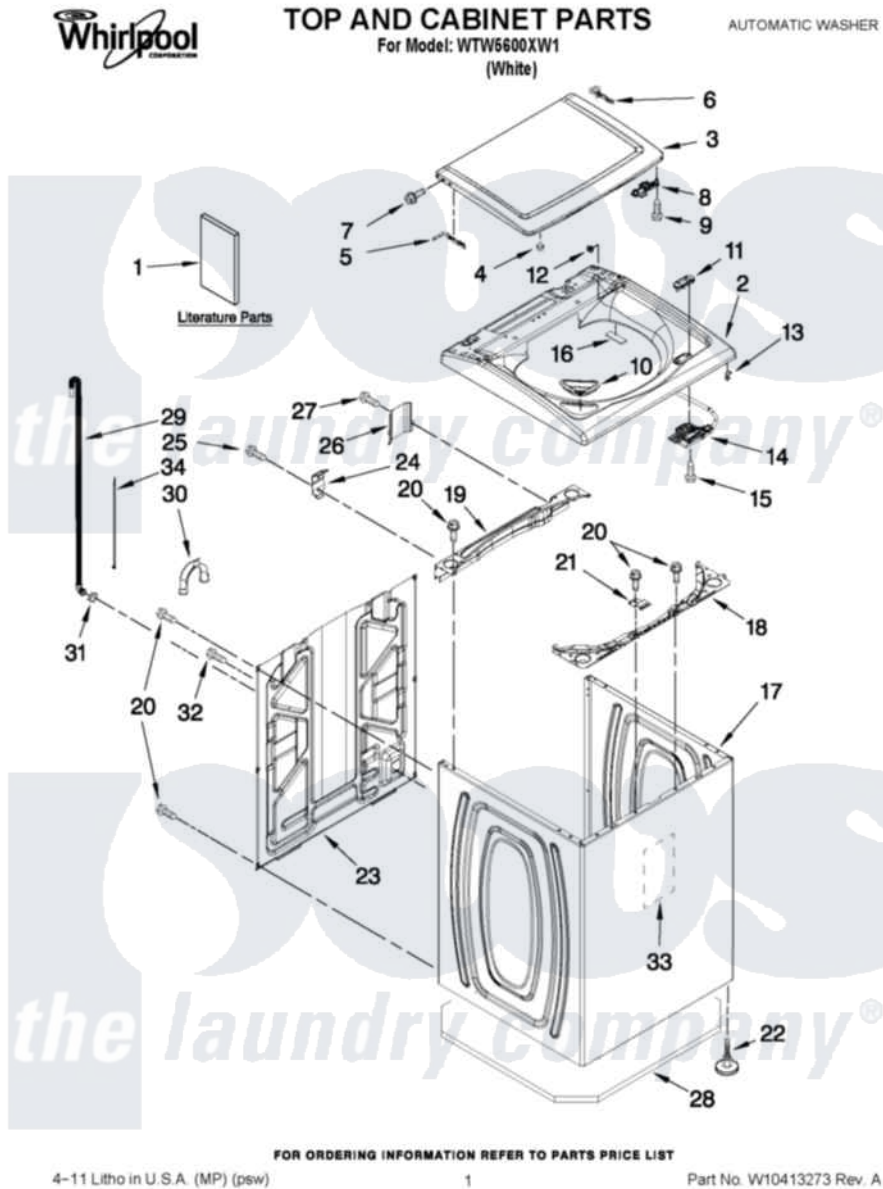


# Whirlpool WTW5600XW1 01 - TOP AND CABINET PARTS



Whirlpool [Residential Whirlpool WTW5600XW1 Washer Parts](#) Parts Diagram 01 - TOP AND CABINET PARTS  
[Click on the part number to view part](#)

Item	Original Part Number	Replaced By	Status	Part Description
1	<a href="#">W10240509</a>			Installation Instructions
"	W10240510		Not Available	INSTALLATION INSTRUCTIONS (SPANISH)
"	W10280475		Not Available	USE & CARE GUIDE
"	W10280504		Not Available	INSTRUCTIONS, SOUND SHIELD INSTALLATION
"	W10240504		Not Available	TECH SHEET IMPROVED WASH
"	W10280494		Not Available	QUICK START GUIDE
"	W10062956		Not Available	ENERGY GUIDE
2	<a href="#">W10246376</a>			Top
3	<a href="#">W10270529</a>			Lid
4	<a href="#">9724509</a>			Bumper, Lid
5	<a href="#">W10295775</a>			Hinge, Wire
6	<a href="#">W10294031</a>			Hinge Wire
7	<a href="#">W10119828</a>			Screw, Lid Hinge Mounting
8	<a href="#">W10240513</a>			Strike, Lid Lock

9	<a href="#">W10273971</a>		Screw, 6-19 X 1/2
10	<a href="#">W10240977</a>		Dispenser, Bleach
11	<a href="#">W10392041</a>		Bezel, Lid Lock
12	<a href="#">W10293272</a>		Bearing, Lid Hinge
"	<a href="#">W10293230</a>		Bearing, Lid Hinge
13	<a href="#">90016</a>		Clip, Pressure Switch Hose
14	W10238287	<a href="#">W10404050</a>	Latch
15	<a href="#">8281163</a>		Screw, Dispenser Housing Mounting
16	<a href="#">W10330080</a>		Pad, Lid Hinge
17	W10251994	<a href="#">W10338650</a>	Cabinet
18	<a href="#">W10215098</a>		Brace, Cabinet Top Front
19	<a href="#">W10215099</a>		Brace, Cabinet Top Rear
20	1157158	<a href="#">489069</a>	Xxscrew, 10-12 X 1/2
21	<a href="#">W10248088</a>		Lock, Top
22	W10335586	<a href="#">W10397767</a>	Foot Assembly, Leveling
23	<a href="#">W10250884</a>		Panel Rear
24	<a href="#">W10215102</a>		Hinge, Top
25	W10142728	<a href="#">3370225</a>	Screw
26	<a href="#">W10215139</a>		Cover, Harness
27	<a href="#">3400076</a>		Screw, Bracket Mounting
28	W10317148	<a href="#">W10319260</a>	Sound Absr
29	<a href="#">W10221546</a>		Hose, Outer Drain Assembly
30	<a href="#">W10280024</a>		U-Bend, Drain Hose
31	<a href="#">356138</a>		Clamp, Hose
32	<a href="#">9740848</a>		Screw, Mixing Valve Mounting
33	<a href="#">W10177046</a>		Cabinet - Damper, Sound
34	<a href="#">W10339879</a>		Tie, Cable

*the laundry company*<sup>®</sup>

*the laundry company*<sup>®</sup>