

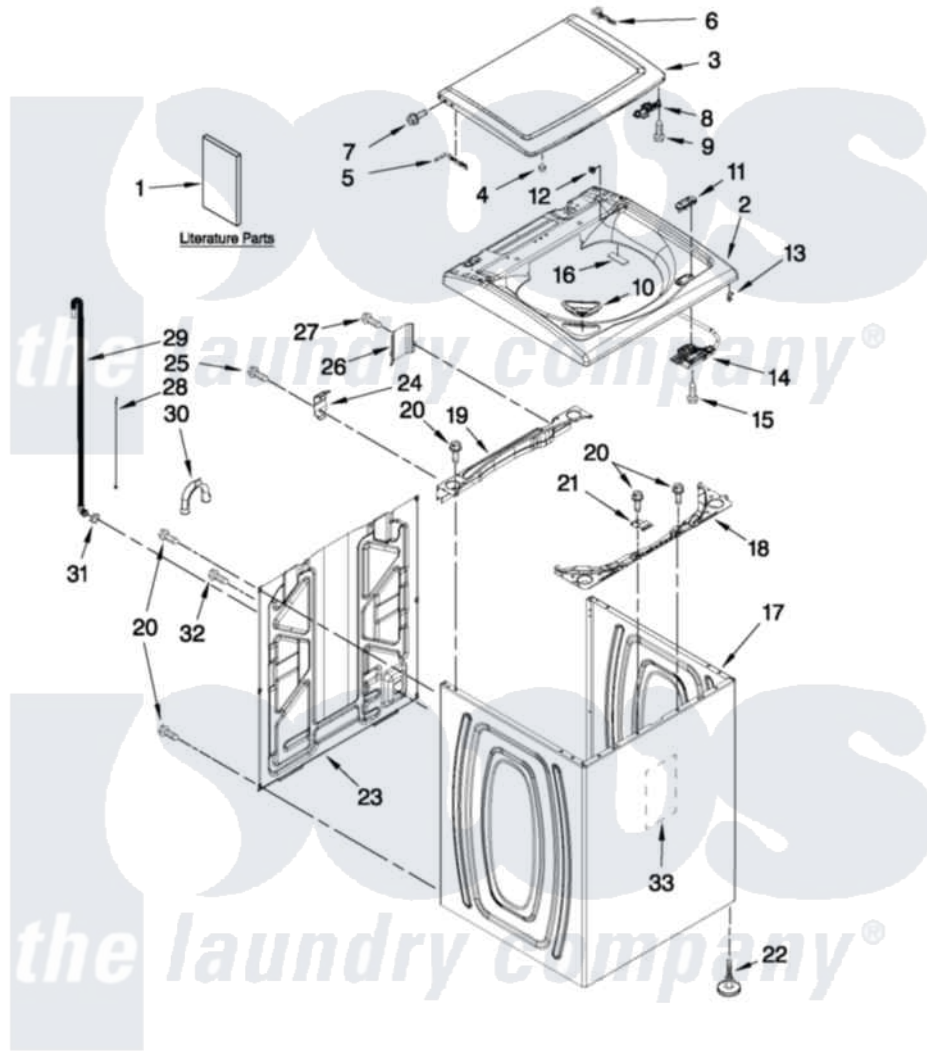
# Whirlpool WTW5610XW3 01 - TOP AND CABINET PARTS



## TOP AND CABINET PARTS

AUTOMATIC WASHER

For Model: WTW5610XW3  
(White)



FOR ORDERING INFORMATION REFER TO PARTS PRICE LIST

5-12 Litho in U.S.A. (JLP)(bay)

1

Part No. W10507231 Rev. A

Whirlpool [Residential Whirlpool WTW5610XW3 Washer Parts](#) Parts Diagram 01 - TOP AND CABINET PARTS

[Click on the part number to view part](#)

Item	Original Part Number	Replaced By	Status	Part Description
1	W10455762		Not Available	INSTALLATION INSTRUCTIONS
"	W10455760		Not Available	USE & CARE GUIDE
"	W10468342		Not Available	TECH SHEET
"	W10280494		Not Available	QUICK START GUIDE
"	W10062956		Not Available	ENERGY GUIDE
2	<a href="#">W10246376</a>			Top
3	<a href="#">W10270529</a>			Lid
4	<a href="#">9724509</a>			Bumper, Lid
5	<a href="#">W10295775</a>			Hinge, Wire
6	<a href="#">W10294031</a>			Hinge Wire
7	<a href="#">W10119828</a>			Screw, Lid Hinge Mounting
8	<a href="#">W10240513</a>			Strike, Lid Lock
9	<a href="#">W10273971</a>			Screw, 6-19 X 1/2
10	<a href="#">W10240977</a>			Dispenser, Bleach
11	<a href="#">W10392041</a>			Bezel, Lid Lock
12	<a href="#">W10293272</a>			Bearing, Lid Hinge

"	<a href="#">W10293230</a>	Bearing, Lid Hinge	
13	<a href="#">90016</a>	Clip, Pressure Switch Hose	
14	W10238287	<a href="#">W10404050</a>	Latch
15	<a href="#">8281163</a>	Screw, Dispenser Housing Mounting	
16	<a href="#">W10330080</a>	Pad, Lid Hinge	
17	W10251994	<a href="#">W10338650</a>	Cabinet
18	<a href="#">W10215098</a>	Brace, Cabinet Top Front	
19	<a href="#">W10215099</a>	Brace, Cabinet Top Rear	
20	1157158	<a href="#">489069</a>	Xxscrew, 10-12 X 1/2
21	<a href="#">W10248088</a>	Lock, Top	
22	<a href="#">W10397767</a>	Foot Assembly, Leveling	
23	<a href="#">W10250884</a>	Panel Rear	
24	<a href="#">W10215102</a>	Hinge, Top	
25	W10142728	<a href="#">3370225</a>	Screw
26	<a href="#">W10215139</a>	Cover, Harness	
27	<a href="#">3400076</a>	Screw, Bracket Mounting	
28	<a href="#">W10339879</a>	Tie, Cable	
29	<a href="#">W10221546</a>	Hose, Outer Drain Assembly	
30	<a href="#">W10280024</a>	U-Bend, Drain Hose	
31	<a href="#">356138</a>	Clamp, Hose	
32	<a href="#">9740848</a>	Screw, Mixing Valve Mounting	
33	<a href="#">W10414221</a>	Cabinet, Damper Sound	

