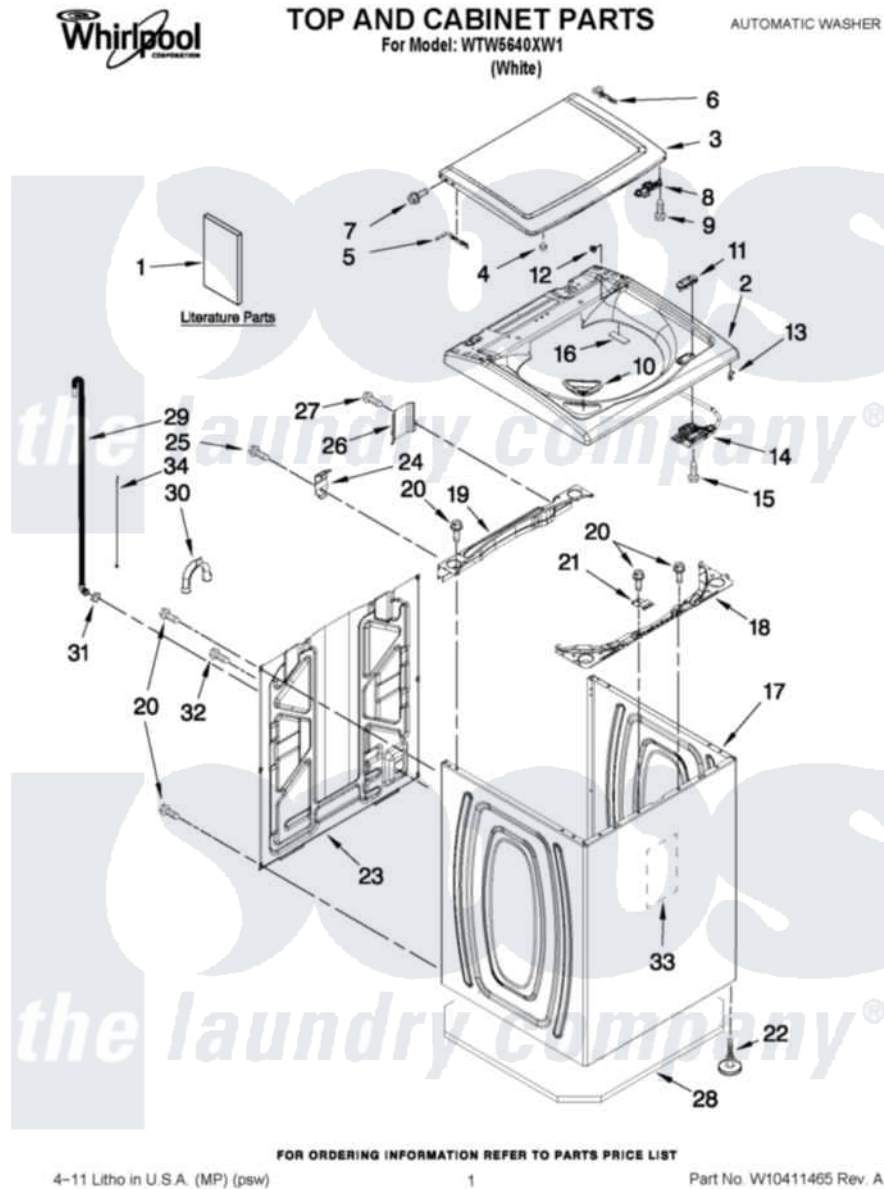


# Whirlpool WTW5640XW1 01 - TOP AND CABINET PARTS



FOR ORDERING INFORMATION REFER TO PARTS PRICE LIST

4-11 Litho in U.S.A. (MP) (psw)

1

Part No W10411465 Rev. A

Whirlpool [Residential Whirlpool WTW5640XW1 Washer Parts](#) Parts Diagram 01 - TOP AND CABINET PARTS

[Click on the part number to view part](#)

| Item | Original Part Number      | Replaced By | Status        | Part Description                        |
|------|---------------------------|-------------|---------------|---|
| 1    | <a href="#">W10240509</a> |             |               | Installation Instructions               |
| "    | W10240510                 |             | Not Available | INSTALLATION INSTRUCTIONS (SPANISH)     |
| "    | W10280475                 |             | Not Available | USE & CARE GUIDE                        |
| "    | W10280504                 |             | Not Available | INSTRUCTIONS, SOUND SHIELD INSTALLATION |
| "    | W10240504                 |             | Not Available | TECH SHEET IMPROVED WASH                |
| "    | W10280494                 |             | Not Available | QUICK START GUIDE                       |
| "    | W10062956                 |             | Not Available | ENERGY GUIDE                            |
| 2    | <a href="#">W10246376</a> |             |               | Top                                     |
| 3    | <a href="#">W10270529</a> |             |               | Lid                                     |
| 4    | <a href="#">9724509</a>   |             |               | Bumper, Lid                             |
| 5    | <a href="#">W10295775</a> |             |               | Hinge, Wire                             |
| 6    | <a href="#">W10294031</a> |             |               | Hinge Wire                              |
| 7    | <a href="#">W10119828</a> |             |               | Screw, Lid Hinge Mounting               |
| 8    | <a href="#">W10240513</a> |             |               | Strike, Lid Lock                        |

|    |                           |                           |                                   |
|----|---------------------------|---------------------------|-----------------------------------|
| 9  | <a href="#">W10273971</a> |                           | Screw, 6-19 X 1/2                 |
| 10 | <a href="#">W10240977</a> |                           | Dispenser, Bleach                 |
| 11 | <a href="#">W10392041</a> |                           | Bezel, Lid Lock                   |
| 12 | <a href="#">W10293272</a> |                           | Bearing, Lid Hinge                |
| "  | <a href="#">W10293230</a> |                           | Bearing, Lid Hinge                |
| 13 | <a href="#">90016</a>     |                           | Clip, Pressure Switch Hose        |
| 14 | W10238287                 | <a href="#">W10404050</a> | Latch                             |
| 15 | <a href="#">8281163</a>   |                           | Screw, Dispenser Housing Mounting |
| 16 | <a href="#">W10330080</a> |                           | Pad, Lid Hinge                    |
| 17 | W10251994                 | <a href="#">W10338650</a> | Cabinet                           |
| 18 | <a href="#">W10215098</a> |                           | Brace, Cabinet Top Front          |
| 19 | <a href="#">W10215099</a> |                           | Brace, Cabinet Top Rear           |
| 20 | 1157158                   | <a href="#">489069</a>    | Xxscrew, 10-12 X 1/2              |
| 21 | <a href="#">W10248088</a> |                           | Lock, Top                         |
| 22 | W10335586                 | <a href="#">W10397767</a> | Foot Assembly, Leveling           |
| 23 | <a href="#">W10250884</a> |                           | Panel Rear                        |
| 24 | <a href="#">W10215102</a> |                           | Hinge, Top                        |
| 25 | W10142728                 | <a href="#">3370225</a>   | Screw                             |
| 26 | <a href="#">W10215139</a> |                           | Cover, Harness                    |
| 27 | <a href="#">3400076</a>   |                           | Screw, Bracket Mounting           |
| 28 | W10317148                 | <a href="#">W10319260</a> | Sound Absr                        |
| 29 | <a href="#">W10221546</a> |                           | Hose, Outer Drain Assembly        |
| 30 | <a href="#">W10280024</a> |                           | U-Bend, Drain Hose                |
| 31 | <a href="#">356138</a>    |                           | Clamp, Hose                       |
| 32 | <a href="#">9740848</a>   |                           | Screw, Mixing Valve Mounting      |
| 33 | <a href="#">W10177046</a> |                           | Cabinet - Damper, Sound           |
| 34 | <a href="#">W10339879</a> |                           | Tie, Cable                        |

*the laundry company*<sup>®</sup>

*the laundry company*<sup>®</sup>