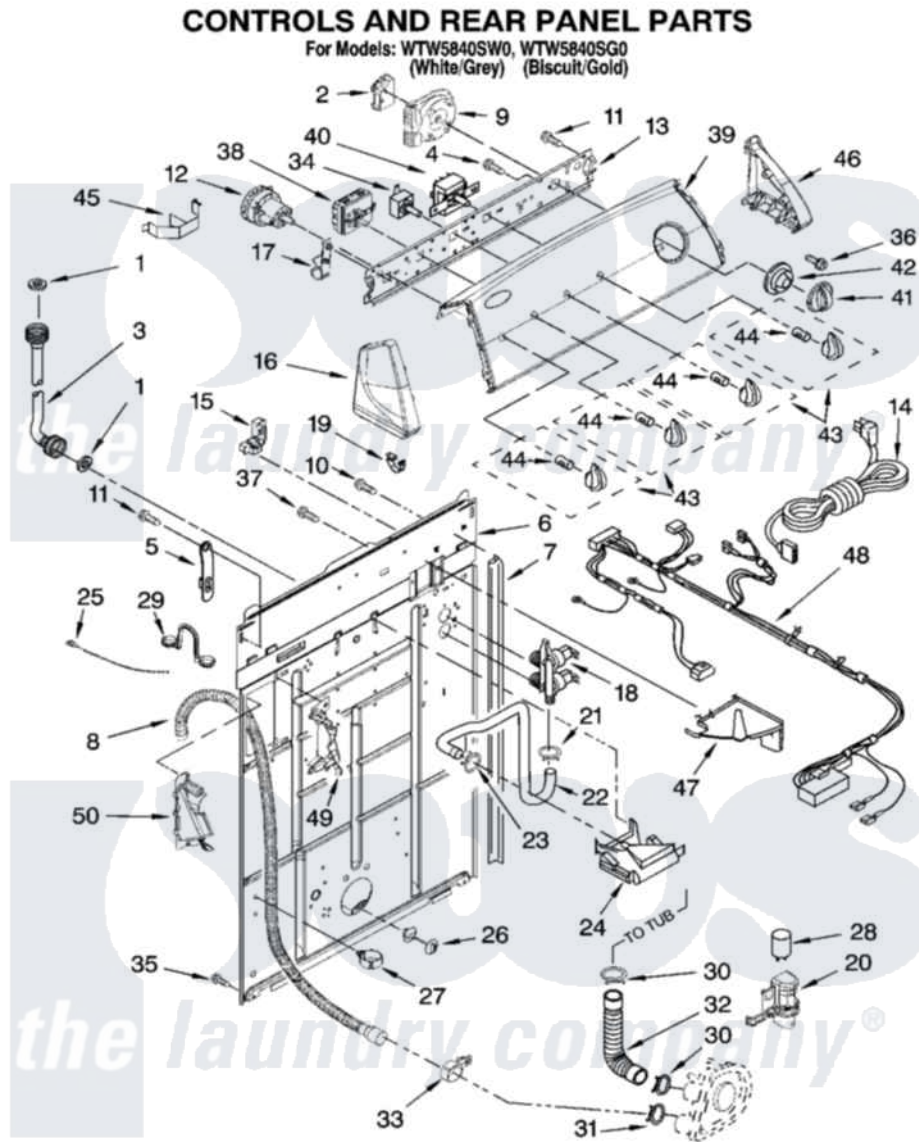


Whirlpool WTW5840SW0 02 - CONTROLS AND REAR PANEL PARTS



8181234

3

Whirlpool [Residential Whirlpool WTW5840SW0 Washer Parts](#) Parts Diagram 02 - CONTROLS AND REAR PANEL PARTS

[Click on the part number to view part](#)

| Item | Original Part Number | Replaced By | Status | Part Description |
|------|-------------------------|---------------------------|--------|--|
| 1 | 3976300 | 16123 | | Washer Inlet-Hose Miscellaneous Parts Must be Ordered Separately. |
| 2 | 8576472 | | | Circuit Board, Agitation Delay |
| 3 | 8571377 | 89503 | | Hose-Inlet |
| " | 8571378 | 89503 | | Hose-Inlet |
| 4 | 3400073 | | | Screw, Ground |
| 5 | 8568314 | | | Strap, Console |
| 6 | 8318015 | | | Panel, Rear |
| 7 | 62747 | | | Pad, Rear Panel |
| 8 | 8559373 | W10096921 | | Drain Hose Assembly |
| 9 | 8577787 | | | Timer, Control |
| 10 | 3351614 | | | Screw, Gearcase Cover Mounting |
| 11 | 90767 | | | Screw, 8A X 3/8 HeX Washer Head Tapping |
| 12 | 8577843 | W10337781 | | Switch-WL |

| | | | |
|----|---------------------------|---------------------------|--|
| 13 | 8566003 | | Bracket, Control |
| 14 | 3956162 | 285800 | Cord-Power |
| 15 | 3952821 | 285777 | Relief-Str |
| 16 | 8566035 | 8565957 | Cap, End |
| " | 8566036 | 8565958 | Cap, End |
| 17 | 8317975 | | Restraint, Harness |
| 18 | 3979347 | 3979346 | Valve, Water Inlet And Thermistor Assembly |
| 19 | 8312709 | | Clip-Console |
| 20 | 8318046 | | Clip, Capacitor |
| 21 | 301958 | 596669 | Clamp, Manifold |
| 22 | 8317974 | 8317926 | Hose, Vacuum Break |
| 23 | 370450 | 596669 | Clamp, Manifold |
| 24 | 387606 | 3360977 | Break-Vac |
| 25 | 3347868 | W10339879 | Tie, Cable |
| 26 | 8519200 | | Support, Rear Panel |
| 27 | 8541667 | | Clamp, Hose |
| 28 | 8572718 | 8572720 | Capacitor, Motor Start |
| 29 | 8577378 | | U-Bend, Drain Hose |
| 30 | 3363366 | 616099 | Clamp |
| 31 | 8317496 | 285655 | Clamp, Hose |
| 32 | 3951449 | 285871 | Hose |
| 33 | 8541668 | | Clamp, Hose |
| 34 | 3949187 | W10168262 | Switch, Rotary |
| 35 | 62863 | 3390631 | Screw, 10-16 X 3/8 |
| 36 | 3400818 | | Screw, Timer Mounting |
| 37 | 9740848 | | Screw, Mixing Valve Mounting |
| 38 | 8577786 | | Switch, Water Temperature |
| 39 | 8578819 | | Panel, Console |
| " | 8578820 | | Panel, Console |
| 40 | 8578536 | | Switch, Rotary |
| 41 | W10034730 | | Knob, Timer |
| " | W10034740 | | Knob, Timer |
| 42 | 8566018 | | Dial, |
| 43 | W10034380 | | Knob, Control |
| " | W10034390 | | Knob, Control |
| 44 | 8536939 | | Clip, Knob |
| 45 | 8055003 | | Clip, Harness And Pressure Switch |
| 46 | 8566032 | 8565954 | Cap, End |
| " | 8566033 | 8565955 | Cap, End |
| 47 | 8539874 | | Shield, Suds |
| 48 | 3958083 | | Harness, Wiring |
| 49 | 8541669 | | Bucket, Drain Hose |
| 50 | 8541658 | | Bucket, Drain Hose |