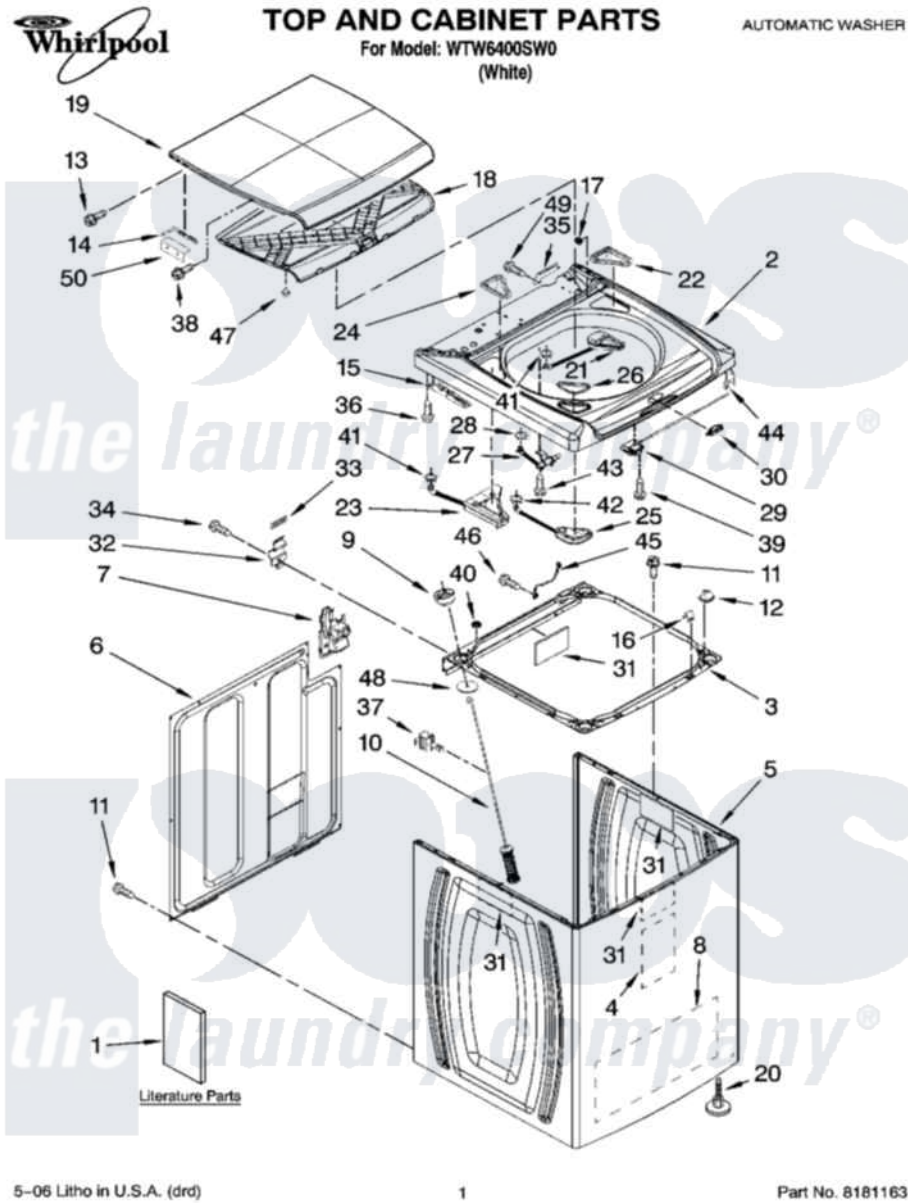


Whirlpool WTW6400SW0 01 - TOP AND CABINET PARTS



5-06 Litho in U.S.A. (drd)

1

Part No. 8181163

Whirlpool [Residential Whirlpool WTW6400SW0 Washer Parts](#) Parts Diagram 01 - TOP AND CABINET PARTS
 Click on the part number to view part

| Item | Original Part Number | Replaced By | Status | Part Description |
|------|-------------------------|---------------------------|---------------|---------------------------------|
| 1 | 8566931 | | | Use And Care Guide |
| " | 8567037 | | Not Available | Tech Sheet |
| " | 8566929 | | Not Available | Quick Start Guide |
| " | 8577781 | | Not Available | Wiring Diagram |
| " | 8567168 | | Not Available | Energy Guide |
| 2 | 8565311 | 8565314 | | Top |
| 3 | 8576639 | W10180912 | | Frame |
| 4 | 8576784 | | | Sound Absorber, Cabinet |
| 5 | 8566156 | W10069980 | | Cabinet |
| 6 | 8566090 | | | Panel, Rear |
| 7 | 8543781 | W10160572 | | Retainer, Drain Hose Storage |
| 8 | 8578225 | | | Absorber - Sound, Cabinet Front |
| 9 | 8576475 | W10198919 | | Kit |
| 10 | 8564009 | W10189077 | | Suspension |
| 11 | 1157158 | 489069 | | Xxscrew, 10-12 X 1/2 |
| 12 | 8563602 | W10042120 | | Locator, Top |

| | | | |
|----|---------------------------|---------------------------|-----------------------------------|
| 13 | 355274 | W10119828 | Screw, Lid Hinge Mounting |
| 14 | 8576780 | | Hinge Arm, Lid |
| 15 | 8563962 | | Hinge, Spring Assembly |
| " | 8563963 | | Hinge, Spring Assembly |
| 16 | 8563785 | | Lock, Top- Front |
| 17 | W10052730 | | Bearing, Lid Hinge |
| 18 | 8577353 | | Lid-Inner |
| 19 | 8572891 | 8572894 | Lid |
| 20 | 8578826 | W10397767 | Foot Assembly, Leveling |
| 21 | W10059150 | W10172146 | Dispenser, Fabric Softener |
| 22 | 8566210 | | Bezel, Fabric Softener Dispenser |
| 23 | W10059160 | | Dispenser, Bleach |
| 24 | 8566211 | | Bezel, Stain Remover Dispenser |
| 25 | 8564976 | | Dispenser, Detergent |
| 26 | 8564979 | | Bezel, Detergent Dispenser |
| 27 | 8543779 | W10106990 | Nozzle Assembly, Fresh Water |
| 28 | 371503 | 596669 | Clamp, Manifold |
| 29 | W10059230 | | Lock Assembly, Lid |
| 30 | 8572019 | | Bezel, Lid Lock |
| 31 | 8564458 | | Absorber, Impact |
| 32 | 8564456 | | Hinge, Top |
| 33 | 18849 | | Pad, Top Hinge |
| 34 | 343641 | 681414 | Screw, 10AB X 1/2 |
| 35 | 8563941 | | Cover, Harness |
| 36 | 693995 | | Screw, Hex Head |
| 37 | 8543784 | | Bracket, Drain Hose |
| 38 | W10076920 | | Screw 8-18 X .614 |
| 39 | 8281136 | | Screw, 10-16 X 3/4 |
| 40 | 8576476 | | Spacer, Rear |
| 41 | 370451 | 596669 | Clamp, Manifold |
| 42 | 371503 | 596669 | Clamp, Manifold |
| 43 | 3400061 | | Screw, Dispenser Housing Mounting |
| 44 | 90016 | | Clip, Pressure Switch Hose |
| 45 | 8281736 | 3184020 | Wire |
| 46 | 3400076 | | Screw, Bracket Mounting |
| 47 | W10076780 | | Bumper, Lid |
| 48 | 8577896 | | Washer, Suspension Umbrella |
| 49 | 3390647 | 488729 | Screw |
| 50 | 21097 | | Pad, Lid Hinge |