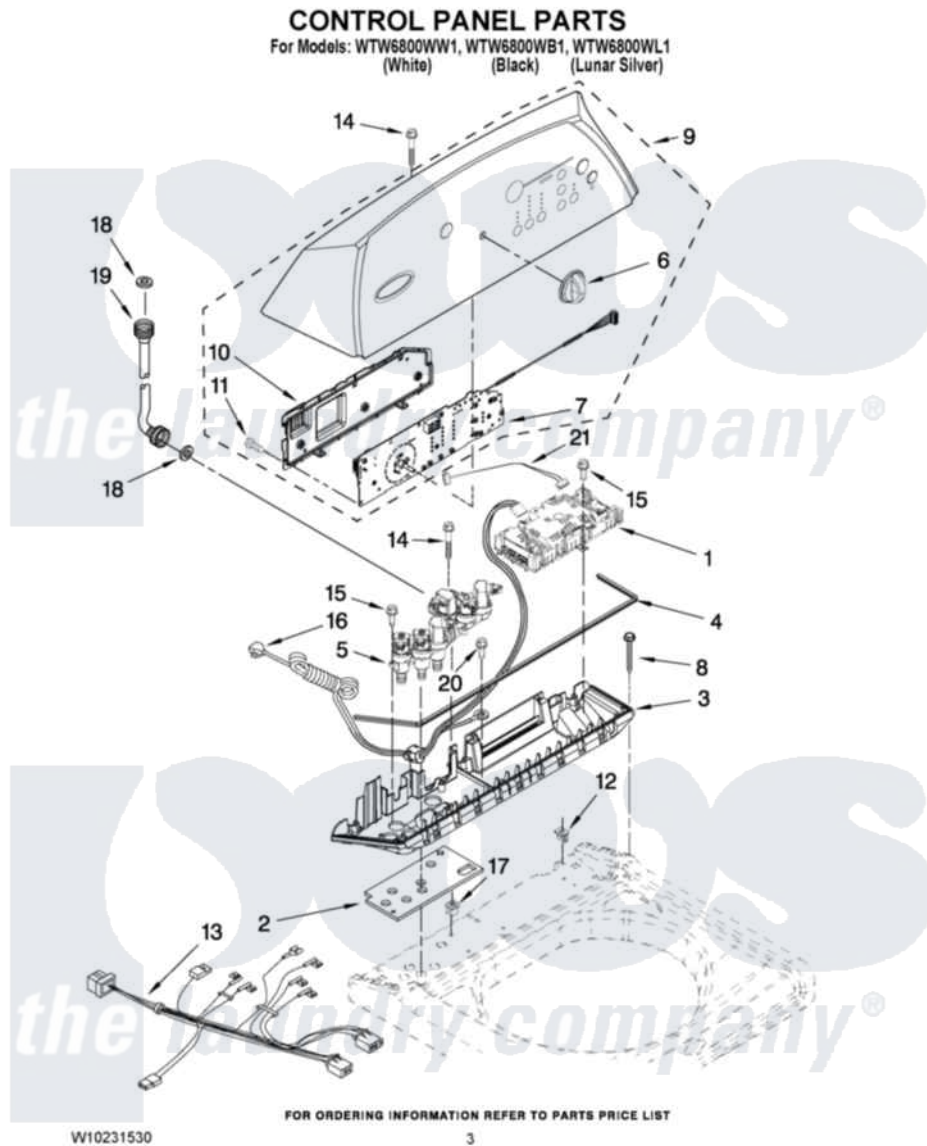


Whirlpool WTW6800WL1 02 - CONTROL PANEL PARTS



Whirlpool [Residential Whirlpool WTW6800WL1 Washer Parts](#) Parts Diagram 02 - CONTROL PANEL PARTS
Click on the part number to view part

| Item | Original Part Number | Replaced By | Status | Part Description |
|------|---------------------------|---------------------------|---------------|--|
| 1 | W10249237 | | | Control Unit Assembly, Machine And Motor |
| 2 | W10130502 | | | Gasket, Valve Tray |
| 3 | 8565304 | | | Tray Assembly, Console |
| " | 8565305 | | | Tray Assembly, Console |
| " | W10158216 | | | Tray Assembly, Console |
| 4 | 8565259 | | | Gasket, Console/Tray |
| 5 | W10128457 | W10364988 | | Valve |
| 6 | 8574957 | | | Knob, Assembly |
| " | 8574959 | | | Knob, Assembly |
| " | W10212211 | | Not Available | Knob, Control (Aluminum) |
| 7 | W10051132 | | | User Interface |
| 8 | W10004990 | | | Screw, 6-20 X 1.2 |
| 9 | W10200838 | | | Console |
| " | W10200839 | | | Console |
| " | W10240467 | | | Console |
| 10 | 8564265 | | | Cover, Rear- User Interface |

| | | | |
|----|---------------------------|-----------------------|---|
| 11 | W10003770 | | Screw, 6-19 X 1/2 |
| 12 | W10022060 | | Nut, Push-In |
| 13 | W10128687 | | Harness, Upper |
| 14 | 8565324 | | Screw, 10-16 X 1.75 |
| 15 | 8281136 | | Screw, 10-16 X 3/4 |
| 16 | 3407203 | | Cord Assembly, Power |
| 17 | 98460 | | Nut, Push-In |
| 18 | W10242307 | 16123 | Washer Inlet-Hose Miscellaneous Parts Must be Ordered Separately. |
| 19 | W10194208 | 89503 | Hose-Inlet |
| " | 8571378 | 89503 | Hose-Inlet |
| 20 | 3351614 | | Screw, Gearcase Cover Mounting |
| 21 | 3407187 | | Harness, Thermistor |

