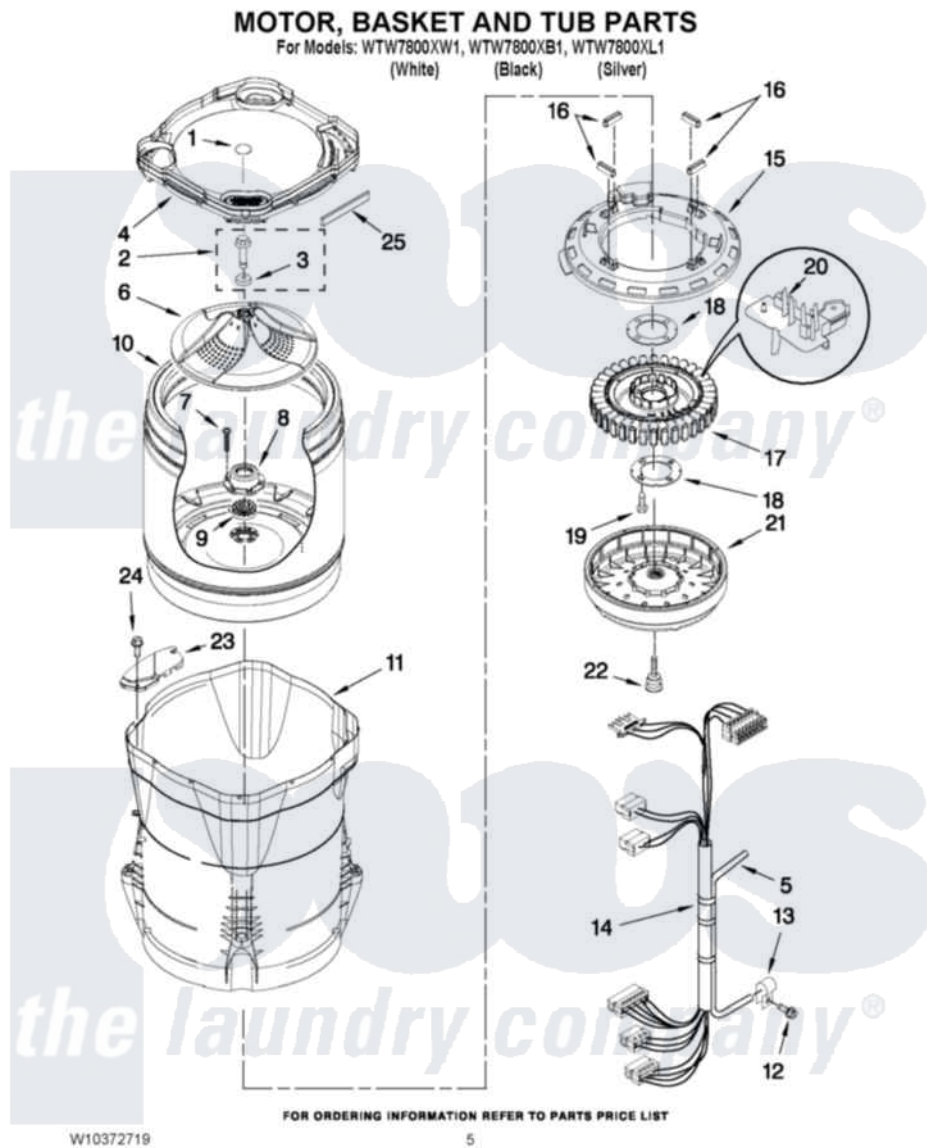


# Whirlpool WTW7800XL1 03 - MOTOR, BASKET AND TUB PARTS



Whirlpool [Residential Whirlpool WTW7800XL1 Washer Parts](#) Parts Diagram 03 - MOTOR, BASKET AND TUB PARTS  
Click on the part number to view part

Item	Original Part Number	Replaced By	Status	Part Description
1	<a href="#">W10305259</a>			Cap, Impeller
2	<a href="#">W10076270</a>			Screw And Washer Assembly
3	<a href="#">W10076260</a>			Washer
4	<a href="#">W10316607</a>			Tub Ring
5	8572540	<a href="#">353244</a>		Hose, Pressure Switch
6	<a href="#">W10286241</a>			Impeller
7	<a href="#">8533953</a>			Screw, 8-16 X 1.000
8	W10118114	<a href="#">280145</a>		Hub
9	8545953	<a href="#">280145</a>		Hub
10	<a href="#">W10310957</a>			Basket Assembly
11	W10128830	<a href="#">W10193886</a>		Tub-Outer
12	<a href="#">8533957</a>			Screw, 10-16 X 1/2
13	<a href="#">W10005430</a>			Clamp, Pressure Hose Retainer
14	<a href="#">W10137697</a>			Harness, Lower
15	<a href="#">W10137698</a>			Shield, Drive Motor
16	8565172	<a href="#">280142</a>		Tube

17	8565170	<a href="#">W10419333</a>	Stator, Motor
18	<a href="#">8557836</a>		Plate, Stator
19	<a href="#">8534042</a>		Screw, 1/4-20 X .968
20	<a href="#">W10178988</a>		Rps Assembly
21	8565177	<a href="#">280146</a>	Rotor
22	N/P	Not Available	BOLT, ROTOR ASSEMBLY NON-SERVICEABLE (SUPPLIED W/ROTOR)
23	<a href="#">W10222008</a>		Filter, Dual Pump Hood
24	<a href="#">8533928</a>		Screw, 8-18 X 3/4
25	<a href="#">W10205824</a>		Absorber, Impact

