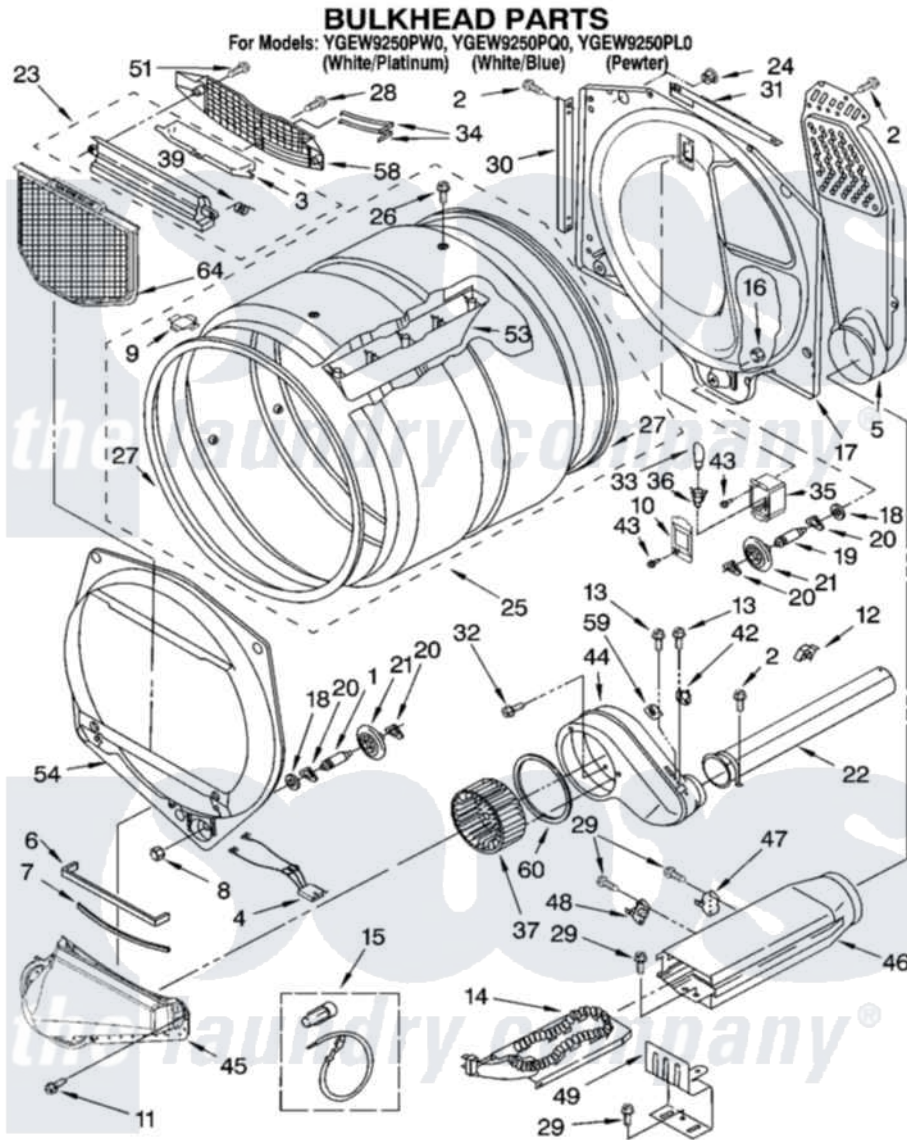


Whirlpool YGEW9250PL0 03 - BULKHEAD PARTS



8180501

5

Whirlpool Residential Whirlpool YGEW9250PL0 Dryer Parts Parts Diagram 03 - BULKHEAD PARTS
Click on the part number to view part

Item	Original Part Number	Replaced By	Status	Part Description
1	3399508	W10359271		Shaft, Drum Roller Threads
2	3390647	488729		Screw
3	3394984	8563758		Door, Lint Screen
4	3406653			Harness, Sensor
5	697354	3387911		Duct-Air
6	697813			Seal, Outlet Housing
7	697814	697813		Seal, Outlet Housing
8	3359452			Nut, Lock
9	8066086			Plug, Drum Hole
10	3402841	8532165		Lens, Drum Light
11	359625	487240		Screw, For Mtg. Service Capacitor
12	3388229			Retainer, Toe Panel
13	3390646	W10139210		Screw, 8-18 X 5/16
14	3387747			Element, Heater
15	279457			Wire Kit, Terminal
16	3387709			Nut, 3/8-16

17	8520836		Bulkhead, Rear
18	3387459	W10080960	Washer, Support
19	3399509	W10359272	Shaft, Roller Drum Threads
20	690997		Washer, Thrust
21	8536973	W10314173	Support
22	3402715	279936	Kit-Exhst
23	3394985	8563755	Housing, Outlet Assembly
24	8529007		Plug, Rear Bulkhead
25	8299966	W10113138	Complete Drum Assembly
26	97787	W10109200	Screw, Baffle Mounting
27	697694	280114	Seal
28	695240	488729	Screw
29	90767		Screw, 8A X 3/8 HeX Washer Head Tapping
30	8519221	W10118335	Channel Bracket, Rear Bulkhead
31	8519275	W10118337	Bracket-Bulkhead Upper Mounting
32	489463		Screw, 8-18 X 1/16
33	3406124	22002263	Lamp
34	3387223		Electrode, Sensor
35	3977373		Bracket, Drum Light
36	3403634	W10136369	Socket, Drum Light Assembly
37	697772		Wheel, Blower
39	3394986		Spring, Lint Screen Door
42	3976615	8577274	Thermostat 295F
43	487909	488729	Screw
44	8544362	W10119255	Housing, Blower
45	8066168	W10128606	Duct-Lint
46	3392537		Box, Heater
47	8318314	279973	Kit, Thermal Cut-Off
48	3391914		Thermostat 295 F
49	8066099		Bracket, Heater Box
51	3387230		Screw, 10-16 X 13/16
53	697693	W10113136	Baffle, Drum
54	8519245	W10136455	Bulkhead
58	8299979		Grill, Outlet Screen Door
59	3392519		Thermal Limiter
60	697770		Seal, Cover Plate Blower Housing
64	8066170	W10120998	Screen