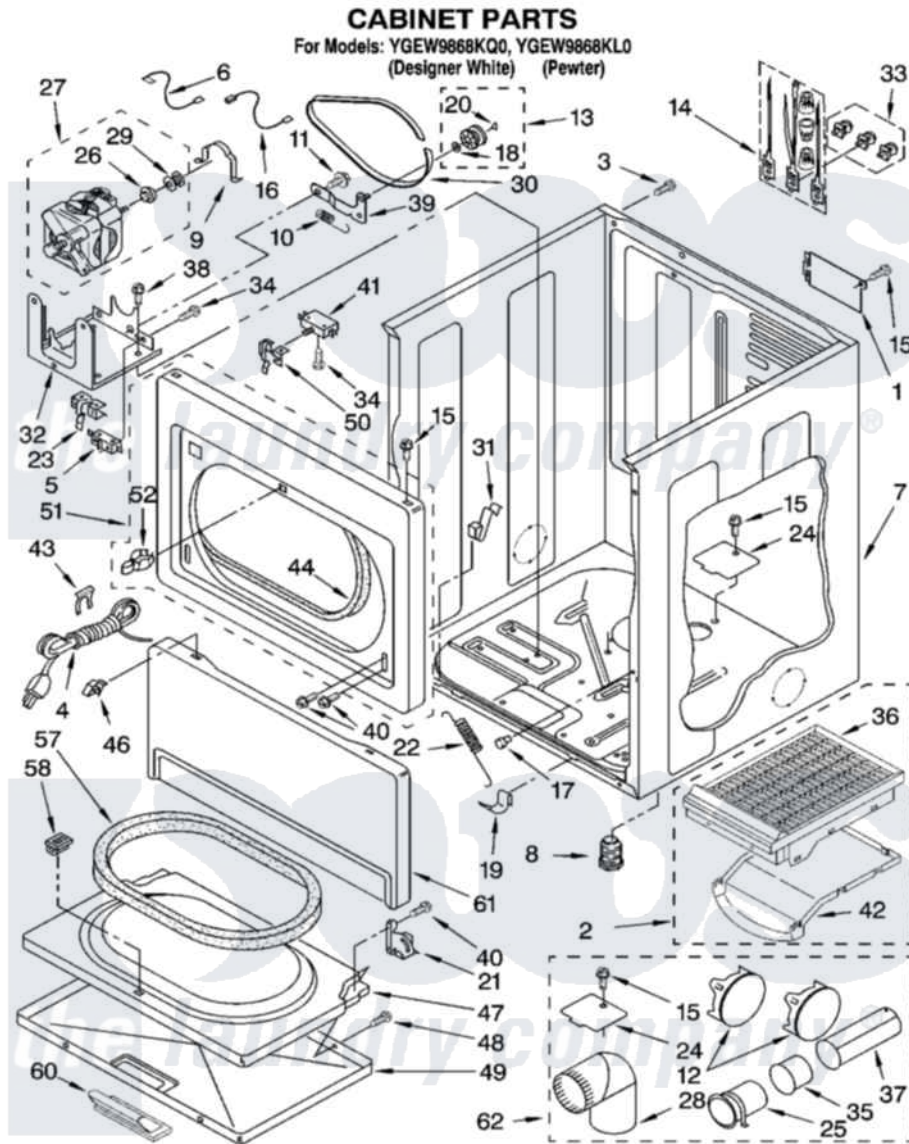


Whirlpool YGEW9868KQ0 02 - CABINET PARTS



4320297

3

Whirlpool [Residential Whirlpool YGEW9868KQ0 Dryer Parts](#) Parts Diagram 02 - CABINET PARTS
 Click on the part number to view part

| Item | Original Part Number | Replaced By | Status | Part Description |
|------|-------------------------|---------------------------|--------|--|
| 1 | 8317342 | W10119283 | | Cover, Terminal Block |
| 2 | 3406911 | 8212450A | | Dryer Rack |
| 3 | 697776 | 4331106 | | Screw, No.10-32 X 7/16 |
| 4 | 3394208 | | | Cord, Power |
| 5 | 3394881 | 279782 | | Switch-Lid |
| 6 | 3398948 | | | Wire, Jumper |
| 7 | 8310656 | | | Cabinet |
| " | 8528155 | 3979259 | | Cabinet |
| 8 | 3392100 | 49621 | | Feet-Leveling |
| " | 279810 | | | Foot-Optional |
| 9 | 660658 | | | Clamp, Motor Mounting 343481 685441 |
| 10 | 3387374 | | | Spring, Idler |
| 11 | 3389420 | | | Retainer-Idler 1/4-20 X 1/16 |
| 12 | 697750 | W10470674 | | Dryer Exhaust Kit |
| " | 3979261 | | | Plug, Multivent |
| 13 | 3388672 | 279640 | | Pulley-ldr |

| | | | |
|----|-------------------------|---------------------------|---------------------------------|
| 14 | 279318 | | Terminal Tinned And Brass Panel |
| 15 | 3390647 | 488729 | Screw |
| 16 | 3394081 | | Wire, Broken Belt Switch |
| 17 | 693152 | | Bumper, Console |
| 18 | 233520 | | Washer, Thrust |
| 19 | 297092 | | Clip |
| 20 | 690997 | | Washer, Thrust |
| 21 | 3387560 | | Hinge, Door |
| " | 3387559 | | Hinge, Door |
| 22 | 3387565 | | Spring, Door |
| 23 | 3391408 | 8066120 | Lever, Door Switch |
| 24 | 8066115 | 3394331 | Plate Cover |
| 25 | 3395532 | | Exhaust Pipe And Bracket |
| 26 | 3393657 | | Restrainer, Belt |
| 27 | 3395654 | 279787 | Motor-Drve |
| 28 | 49026 | | 4" - 90° Elbow |
| 29 | 3389729 | | Pulley, Motor |
| 30 | 3387610 | 661570 | Belt |
| 31 | 3388600 | | Clip, Lint Duct |
| 32 | 3387118 | | Bracket, Motor |
| 33 | 279393 | | Terminal Block Screw Kit |
| 34 | 98129 | | Screw, 6-20 X 1 1/16 |
| 35 | 3395534 | | Exhaust Pipe |
| 36 | 3406910 | 8212450A | Dryer Rack |
| 37 | 3395535 | 8563749 | Exhaust Pipe |
| 38 | 3390663 | 681414 | Screw, 10AB X 1/2 |
| 39 | 3388674 | W10118756 | Idler Bracket |
| 40 | 3357011 | 308685 | Side Trim) |
| 41 | 3392266 | 279347 | Switch-Lid |
| 42 | 3406908 | 8212450A | Dryer Rack |
| 43 | 694415 | | Clip, Strain Relief |
| 44 | 3387242 | | Seal, Front Panel |
| 46 | 3388229 | | Retainer, Toe Panel |
| 47 | 697655 | 280079 | Door |
| 48 | 694091 | | Trim, Side Right Hand |
| 49 | 8521938 | | Door, Front |
| " | 8521936 | | Door, Front |
| 50 | 691581 | | Lever, Door Switch |
| 51 | 697227 | 279659 | Panel |
| " | 3979198 | 279972 | Panel |
| 52 | 696144 | 279570 | Latch |
| 57 | 3390736 | 3390732 | Seal-Door |
| 58 | 690081 | 279570 | Latch |
| 60 | 8521931 | | Handle, Door |
| " | 8521932 | | Handle, Door |
| 61 | 697215 | 3406797 | Toe Panel |
| " | 3979197 | 3979260 | Toe Panel |
| 62 | 279818 | W10470674 | Dryer Exhaust Kit |
| " | 279969 | W10470674 | Dryer Exhaust Kit |
| " | 72017 | | Paint, Touch-Up |
| " | 4396174 | | Paint, Touch-Up |
| " | 350930 | | Paint, Pressurized Spray B |

" [4396175](#)

Paint, Pressurized Spray

" [350938](#)

Paint, Pressurized Spray B

" [799344](#)

Paint, Touch-Up)

