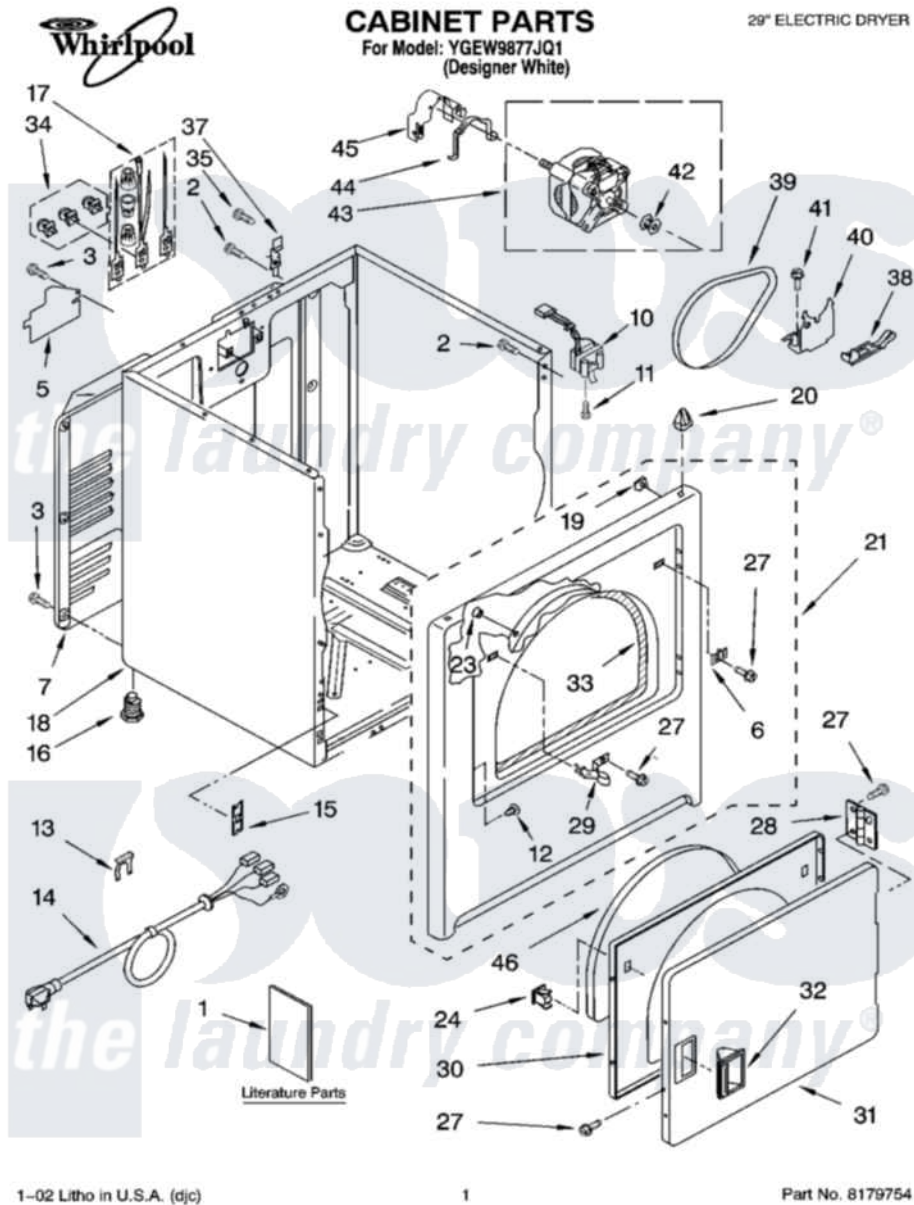


Whirlpool YGEW9877JQ1 01 - CABINET PARTS



1-02 Litho in U.S.A. (djc)

1

Part No. 8179754

Whirlpool [Residential Whirlpool YGEW9877JQ1 Dryer Parts](#) Parts Diagram 01 - CABINET PARTS
 Click on the part number to view part

Item	Original Part Number	Replaced By	Status	Part Description
1	LIT3397620		Not Available	Literature Parts (Instructions, Installation)
"	LIT3978731		Not Available	Literature Parts (Label, Energy Guide)
"	LIT8314829		Not Available	Literature Parts (Use & Care Guide)
"	LIT8532038		Not Available	Literature Parts (Tech Sheet)
"	LIT8299806		Not Available	Literature Parts (Wiring Diagram)
"	BLANK		Not Available	Following May Be Purchased DO-IT-YOURSELF REPAIR MANUALS
"	LIT677818	677818L		Diy
2	343641	681414		Screw, 10AB X 1/2
3	693995			Screw, Hex Head
5	3394202		Not Available	Cover, Terminal Block
6	3403630			Plug, Strike Hole
7	3396805	280043		Panel-Rear
10	3406107			Door Switch Assembly

11	697773	3395530	Screw
12	3404413		Plug, Hinge Hole
13	694415		Clip, Strain Relief
14	3394208		Cord, Power
15	3394083		Clip, Front Panel
16	3392100	49621	Feet-Leveling
"	279810		Foot-Optional
17	279318		Terminal Tinned And Brass Panel
18	8530603	8533643	Cabinet
19	98234		Clip, U-Bend
20	690363	18776	Lock, Front Top
21	3403444	279852	Panel
23	685203	279220	Clip
24	690081	279570	Latch
27	342055	488627	Screw
28	3405514	W10362431	Hinge And Pin Assembly
29	3403431		Strike, Panel
30	3402341		Door, Inner
31	3402335		Door, Front
32	3405184		Handle, Door
33	3406129		Seal And Bearing Assembly
34	279393		Terminal Block Screw Kit
35	697776	4331106	Screw, No.10-32 X 7/16
37	238088	8066217	Hinge, Top
38	3394332	691366	Idler And Pulley Assembly
39	8066065	341241	Belt
40	348780		Base, Motor
41	3400500		Bolt, 3405245 5/16-18 X 3/4
42	3394341	W10299847	Pulley-Motor
43	661654	279827	Motor-Drve
44	660658		Clamp, Motor Mounting 343481 685441
45	3404162		Clamp, Motor
46	3405246		Seal, Door Push-To-Start

