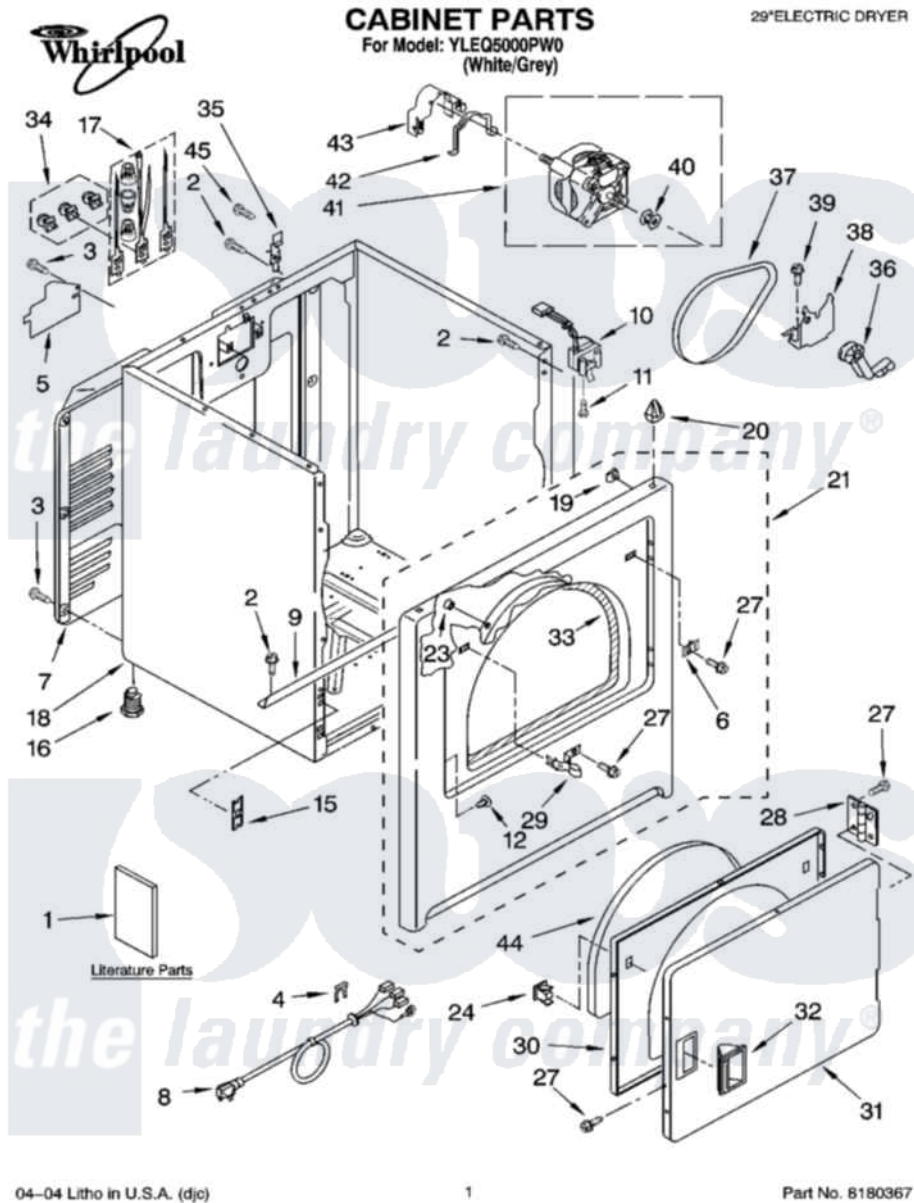


Whirlpool YLEQ5000PW0 01 - CABINET PARTS



04-04 Litho in U.S.A. (djc)

1

Part No. 8180367

Whirlpool [Residential Whirlpool YLEQ5000PW0 Dryer Parts](#) Parts Diagram 01 - CABINET PARTS
 Click on the part number to view part

Item	Original Part Number	Replaced By	Status	Part Description
1	LIT8535831		Not Available	Literature Parts (Instructions, Installation)
"	LIT8533770		Not Available	Literature Parts (Sheet, Cycle Feature)
"	LIT8535902		Not Available	Literature Parts (Label, Energy Guide)
"	LIT3979614		Not Available	Literature Parts (Use & Care Guide)
"	LIT8563884		Not Available	Literature Parts (Wiring Diagram)
"	BLANK		Not Available	Following May Be Purchased DO-IT-YOURSELF REPAIR MANUALS
"	LIT677818	677818L		Diy
2	343641	681414		Screw, 10AB X 1/2
3	693995			Screw, Hex Head
4	694415			Clip, Strain Relief
5	3394202		Not Available	Cover, Terminal Block
6	3403630			Plug, Strike Hole

7	3396805	280043	Panel-Rear
8	3394208		Cord, Power
9	8541400		Bracket, Cabinet
10	3406107		Door Switch Assembly
11	697773	3395530	Screw
12	3404413		Plug, Hinge Hole
15	3394083		Clip, Front Panel
16	3392100	49621	Feet-Leveling
"	279810		Foot-Optional
17	279318		Terminal Tinned And Brass Panel
18	8530603	8533643	Cabinet
19	98234		Clip, U-Bend
20	690363	18776	Lock, Front Top
21	3403444	279852	Panel
23	685203	279220	Clip
24	690081	279570	Latch
27	342055	488627	Screw
28	3405514	W10362431	Hinge And Pin Assembly
29	3403431		Strike, Panel
30	3402341		Door, Inner
31	3402335		Door, Front
32	3405184		Handle, Door
33	3406129		Seal And Bearing Assembly
34	279393		Terminal Block Screw Kit
35	238088	8066217	Hinge, Top
36	691366		Idler And Pulley Assembly
37	8066065	341241	Belt
38	348780		Base, Motor
39	3400500		Bolt, 3405245 5/16-18 X 3/4
40	3394341	W10299847	Pulley-Motor
41	8538262	279827	Motor-Drve
42	660658		Clamp, Motor Mounting 343481 685441
43	3404162		Clamp, Motor
44	3405246		Seal, Door Push-To-Start
45	697776	4331106	Screw, No.10-32 X 7/16

