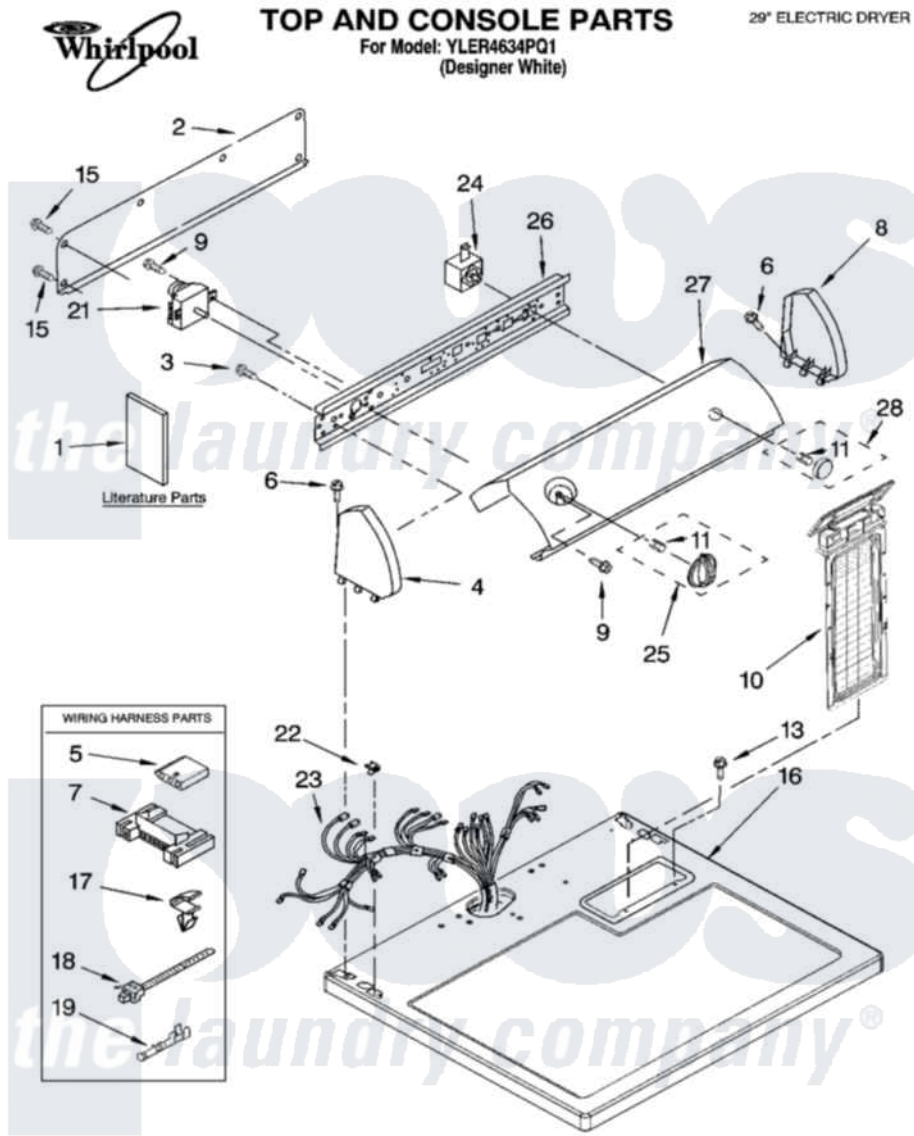


# Whirlpool YLER4634PQ1 01 - TOP AND CONSOLE PARTS



10-05 Litho in U.S.A. (LT)

1

Part No. 8180927

Whirlpool Residential Whirlpool YLER4634PQ1 Dryer Parts Parts Diagram 01 - TOP AND CONSOLE PARTS  
 Click on the part number to view part

Item	Original Part Number	Replaced By	Status	Part Description
1	8578181		Not Available	Use & Care Guide
"	8533770		Not Available	Sheet, Cycle Feature
"	8535831		Not Available	Instructions, Installation
"	8578218		Not Available	Wiring Diagram
"	N/A		Not Available	Following May Be Purchased
"	N/A		Not Available	DO-IT-YOURSELF REPAIR MANUALS
"	677818		Not Available	Manual, Do-It- Yourself Repair (Dryer)
2	<a href="#">8274261</a>			Do-It-Yourself Repair Manuals
3	8533971	<a href="#">90767</a>		Screw, 8A X 3/8 HeX Washer Head Tapping
4	8271365	<a href="#">279962</a>		Endcap
5	<a href="#">3936144</a>			Do-It-Yourself Repair Manuals
6	<a href="#">388326</a>			Screw, 8-18 X 1.25
7	<a href="#">3395683</a>			Receptacle, Multi-Terminal
8	8271359	<a href="#">279962</a>		Endcap

9	<a href="#">8533951</a>	<a href="#">3400859</a>	Screw, Grounding
10	<a href="#">8557861</a>		Screen, Lint
11	<a href="#">8536939</a>		Clip, Knob
13	688983	<a href="#">487240</a>	Screw, For Mtg. Service Capacitor
15	<a href="#">693995</a>		Screw, Hex Head
16	8557930	<a href="#">8563985</a>	Top
17	<a href="#">3394427</a>		Clip-Harness
18	<a href="#">3391249</a>		Cable Tie, Push Mount
19	<a href="#">94614</a>		Terminal
21	<a href="#">8299778</a>		Timer, 60 Hz
22	<a href="#">357213</a>		Nut, Push-In
23	8299868	Not Available	Harness, Wiring
24	<a href="#">3977456</a>		Switch, Push-To-Start
25	<a href="#">8544955</a>		Timer Knob Assembly
26	<a href="#">8271418</a>		Bracket, Control
27	<a href="#">8545960</a>		Panel, Control
28	<a href="#">8544939</a>		Knob, Push-To-Start

