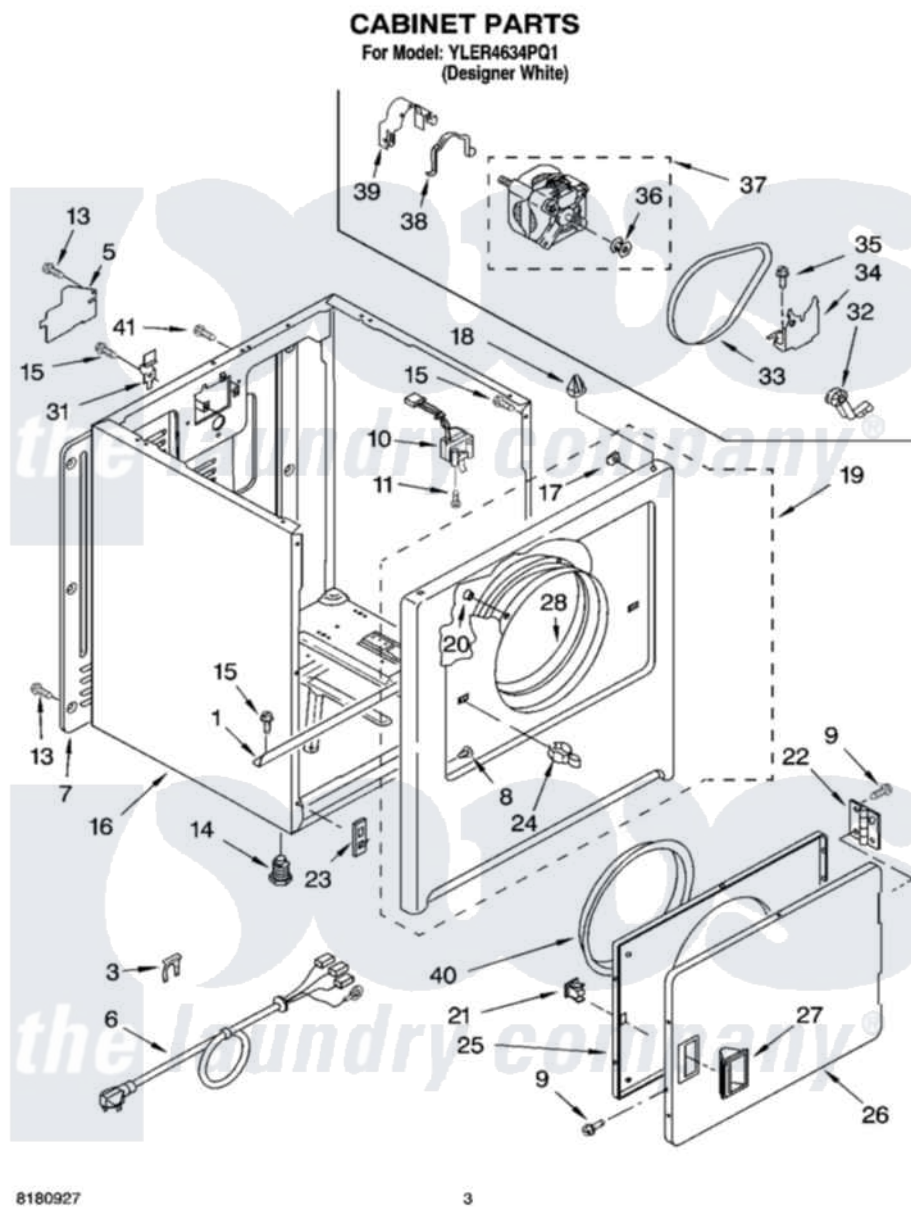


# Whirlpool YLER4634PQ1 02 - CABINET PARTS



Whirlpool [Residential Whirlpool YLER4634PQ1 Dryer Parts](#) Parts Diagram 02 - CABINET PARTS  
Click on the part number to view part

Item	Original Part Number	Replaced By	Status	Part Description
1	<a href="#">8541400</a>			Bracket, Cabinet
3	<a href="#">694415</a>			Clip, Strain Relief
5	3394202		Not Available	Cover, Terminal Block
6	<a href="#">3394208</a>			Cord, Power
7	3396807	<a href="#">280040</a>		Panel-Rear
8	<a href="#">3404413</a>			Plug, Hinge Hole
9	342055	<a href="#">488627</a>		Screw
10	3406104	<a href="#">3406105</a>		Door Switch Assembly
11	697773	<a href="#">3395530</a>		Screw
13	<a href="#">693995</a>			Screw, Hex Head
14	3392100	<a href="#">49621</a>		Feet-Leveling
"	<a href="#">279810</a>			Foot-Optional
15	343641	<a href="#">681414</a>		Screw, 10AB X 1/2
16	8530603	<a href="#">8533643</a>		Cabinet
17	<a href="#">98234</a>			Clip, U-Bend
18	690363	<a href="#">18776</a>		Lock, Front Top

19	3403571	<a href="#">279844</a>	Panel
20	685203	<a href="#">279220</a>	Clip
21	690081	<a href="#">279570</a>	Latch
22	3405514	<a href="#">W10362431</a>	Hinge And Pin Assembly
23	<a href="#">3394083</a>		Clip, Front Panel
24	696144	<a href="#">279570</a>	Latch
25	<a href="#">3403371</a>		Door, Inner
26	<a href="#">3403361</a>		Door Front
27	<a href="#">3405184</a>		Handle, Door
28	8066124	<a href="#">279264</a>	Air Channel Box
31	238088	<a href="#">8066217</a>	Hinge, Top
32	<a href="#">691366</a>		Idler And Pulley Assembly
33	8066065	<a href="#">341241</a>	Belt
34	<a href="#">348780</a>		Base, Motor
35	<a href="#">3400500</a>		Bolt, 3405245 5/16-18 X 3/4
36	3394341	<a href="#">W10299847</a>	Pulley-Motor
37	8066206	<a href="#">279827</a>	Motor-Drve
38	<a href="#">660658</a>		Clamp, Motor Mounting 343481 685441
39	<a href="#">3404162</a>		Clamp, Motor
40	<a href="#">3405245</a>		5/16-18 X 3/4
41	697776	<a href="#">4331106</a>	Screw, No.10-32 X 7/16

