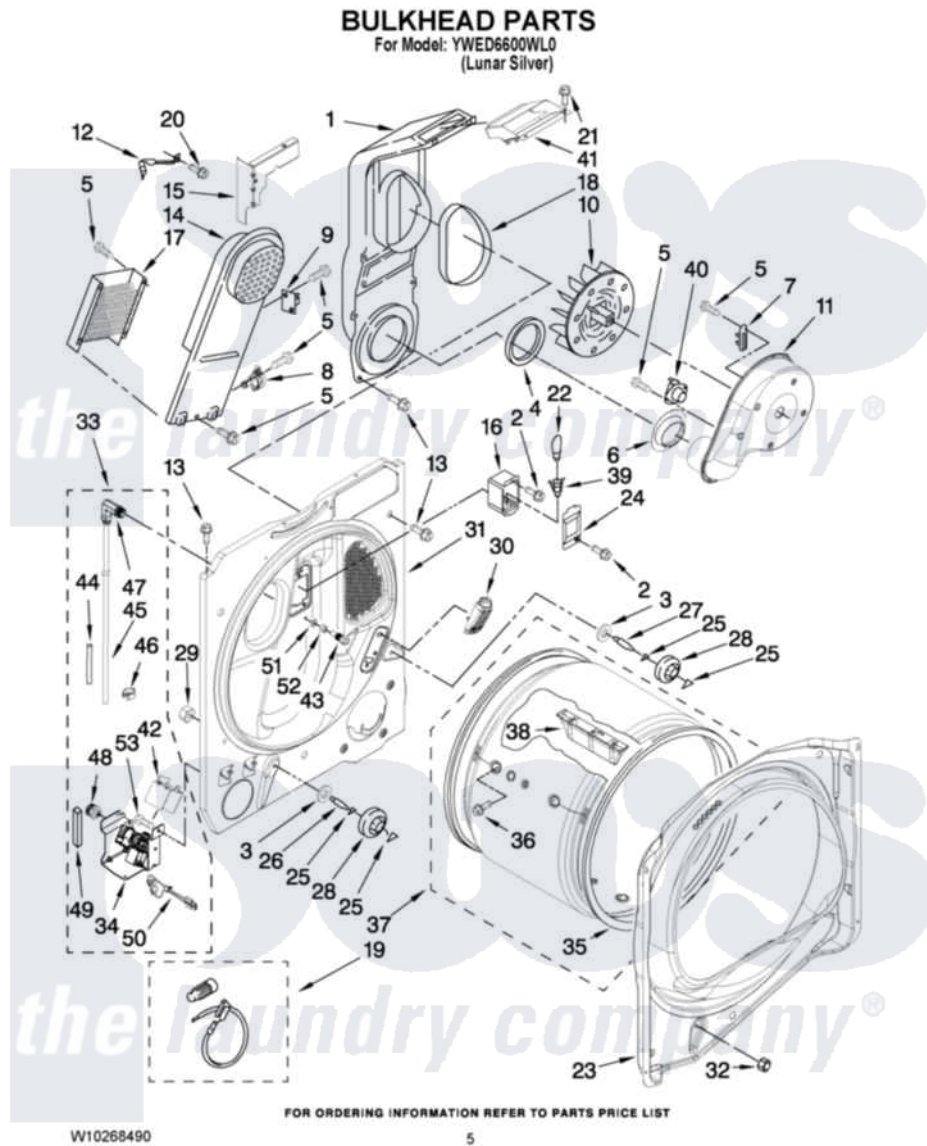


Whirlpool YWED6600WL0 03 - BULKHEAD PARTS



Whirlpool [Residential Whirlpool YWED6600WL0 Dryer Parts](#) Parts Diagram 03 - BULKHEAD PARTS
Click on the part number to view part

Item	Original Part Number	Replaced By	Status	Part Description
1	8544805			Lint Chute Assembly
2	487909	488729		Screw
3	3387459	W10080960		Washer, Support
4	347139			Seal, Lint Chute
5	90767			Screw, 8A X 3/8 HeX Washer Head Tapping
6	8573836			Shield, Exhaust
7	3392519			Thermal Limiter
8	8577891			Thermostat, Hi-Limit
9	3977393	279816		Cutoff-Tml
10	694089			Wheel, Blower
11	8577230			Housing, Blower
12	8546149			Clip-Heater Box
13	343641	681414		Screw, 10AB X 1/2
14	8544801			Box, Heater
15	W10053480			Bracket, Lint Chute
16	3977373			Bracket, Drum Light

17	3403590	Not Available	Element, Heater
18	8544813		Seal, Lint Chute
19	279457		Wire Kit, Terminal
20	489463		Screw, 8-18 X 1/16
21	3196537	3196557	Panel, Manifold
22	3406124	22002263	Lamp
23	8558890		Bulkhead, Front
24	3402841	8532165	Lens, Drum Light
25	690997		Washer, Thrust
26	8575325	W10359272	Shaft, Roller Drum Threads
27	8575324	W10359271	Shaft, Drum Roller Threads
28	8536973	W10314173	Support
29	W10001120	W10080190	Nut, 3/8-16
30	8576468		Assembly, Sensor
31	W10131528		Bulkhead, Rear
32	3934666	W10080210	Nut, 3/8 X 16
33	W10153129		Valve And Hose Assembly Complete
34	W10146150		Valve-Inlet And Bracket Assembly
35	W10116344	280140	Seal
36	W10219342		Screw, Baffle Mounting
37	8557270	8557272	Drum, Assembly
38	8565688		Baffle, Drum
39	W10168632		Socket, Assembly
40	8577274		Thermostat 295F
41	8544810		Collar, Lint Chute
42	W10160575		Cover, Myst Valve
43	W10044629		Nozzle And Screen Assembly
44	W10153865		Sleeve, Tube
45	W10131527	W10153864	Nozzle And Hose Assembly
46	W10044615		Clip, Push-To-Connect
47	W10153864		Nozzle And Hose Assembly
48	W10044605		Coupling, Hose
49	W10158778		Foam, Myst Bracket
50	W10160610		Harness-Water Inlet Valve
51	W10044579		Washer, Nozzle Blower Housing
52	W10044628		Brass, Nut 9/16 - 24 X 1/32
53	693995		Screw, Hex Head