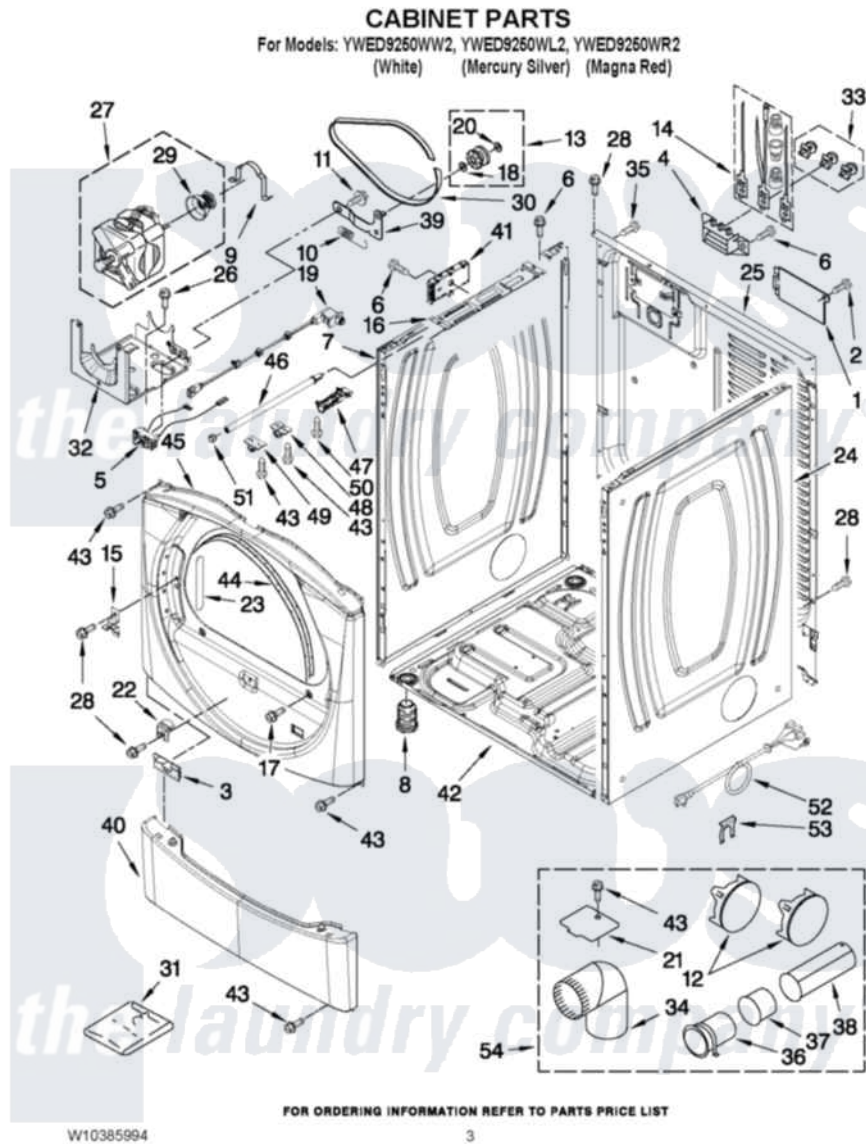


# Whirlpool YWED9250WW2 02 - CABINET PARTS



Whirlpool [Residential Whirlpool YWED9250WW2 Dryer Parts](#) Parts Diagram 02 - CABINET PARTS  
Click on the part number to view part

Item	Original Part Number	Replaced By	Status	Part Description
1	W10286180	<a href="#">W10119283</a>		Cover, Terminal Block
2	3390814	<a href="#">90767</a>		Screw, 8A X 3/8 HeX Washer Head Tapping
3	<a href="#">8519459</a>			Clip, Toe Panel
4	<a href="#">3397659</a>			Block, Terminal
5	W10246525	<a href="#">W10314253</a>		Switch, Assembly Broken Belt
6	8533971	<a href="#">90767</a>		Screw, 8A X 3/8 HeX Washer Head Tapping
7	<a href="#">8565054</a>			Panel, Side
"	<a href="#">W10251218</a>			Panel, Side
"	<a href="#">W10251216</a>			Panel, Side
8	3392100	<a href="#">49621</a>		Feet-Leveling
NI	<a href="#">279810</a>			Foot-Optional
9	<a href="#">660658</a>			Clamp, Motor Mounting 343481 685441
10	<a href="#">3387374</a>			Spring, Idler
11	<a href="#">3389420</a>			Retainer-Idler 1/4-20 X 1/16

12	<a href="#">49252</a>		Plug, Multivent
13	3388672	<a href="#">279640</a>	Pulley-ldr
14	<a href="#">279318</a>		Terminal Tinned And Brass Panel
15	<a href="#">8565122</a>		Strike, Door
16	<a href="#">W10103443</a>		Bracket, Control Pogo
17	3357011	<a href="#">308685</a>	Side Trim )
18	<a href="#">W10121334</a>		Washer, Thrust
19	<a href="#">W10318609</a>		Switch, Assembly Door
20	<a href="#">690997</a>		Washer, Thrust
21	8066115	<a href="#">3394331</a>	Plate Cover
22	<a href="#">8580015</a>		Ramp, Door
23	<a href="#">W10085210</a>		Label-Hinge Hole Cover Front Panel
24	<a href="#">8565048</a>		Panel, Side
"	<a href="#">W10251219</a>		Panel, Side
"	<a href="#">W10251217</a>		Panel, Side
25	<a href="#">8565059</a>		Panel, Rear
26	343641	<a href="#">681414</a>	Screw, 10AB X 1/2
27	8538263	<a href="#">279787</a>	Motor-Drve
28	3393008	<a href="#">308685</a>	Side Trim )
29	<a href="#">8578220</a>		Pulley, Motor
30	3387610	<a href="#">661570</a>	Belt
31	<a href="#">8572546</a>		Odor Remover
32	<a href="#">W10242878</a>		Bracket, Motor Mounting
33	<a href="#">279393</a>		Terminal Block Screw Kit
34	<a href="#">49026</a>		4" - 90° Elbow
35	8533974	<a href="#">4331106</a>	Screw, No.10-32 X 7/16
36	<a href="#">8563747</a>		Exhaust Pipe Medium Pipe
37	<a href="#">8563750</a>		Exhaust Pipe
38	<a href="#">8563749</a>		Exhaust Pipe
39	3388674	<a href="#">W10118756</a>	Idler Bracket
40	<a href="#">8540621</a>		Panel, Toe
"	<a href="#">W10251210</a>		Toe Panel
"	<a href="#">W10251209</a>		Toe Panel
41	<a href="#">W10235613</a>		Board, Control
42	<a href="#">8565046</a>		(BROKEN BELT BASE, CABINET SWITCH)
43	3390647	<a href="#">488729</a>	Screw
44	<a href="#">3387242</a>		Seal, Front Panel
45	<a href="#">8580257</a>		Front Panel
"	<a href="#">W10251204</a>		Front Panel
"	<a href="#">W10251203</a>		Front Panel
46	<a href="#">W10103457</a>		Pogo Bar Assembly
47	<a href="#">W10101220</a>		Housing Assembly
48	<a href="#">W10101183</a>		Bushing-Sleeve
49	W10307561		Not Available BUSHING-SLEEVE (REAR)
50	487909	<a href="#">488729</a>	Screw
51	<a href="#">W10011740</a>		End Cap
52	<a href="#">8579325</a>		Power Cord
53	<a href="#">694415</a>		Clip, Strain Relief
NI	W10331152		Not Available DRYER EXHAUST KIT (FOR SIDE & BOTTOM VENTING) (MIDNIGHT GREY)