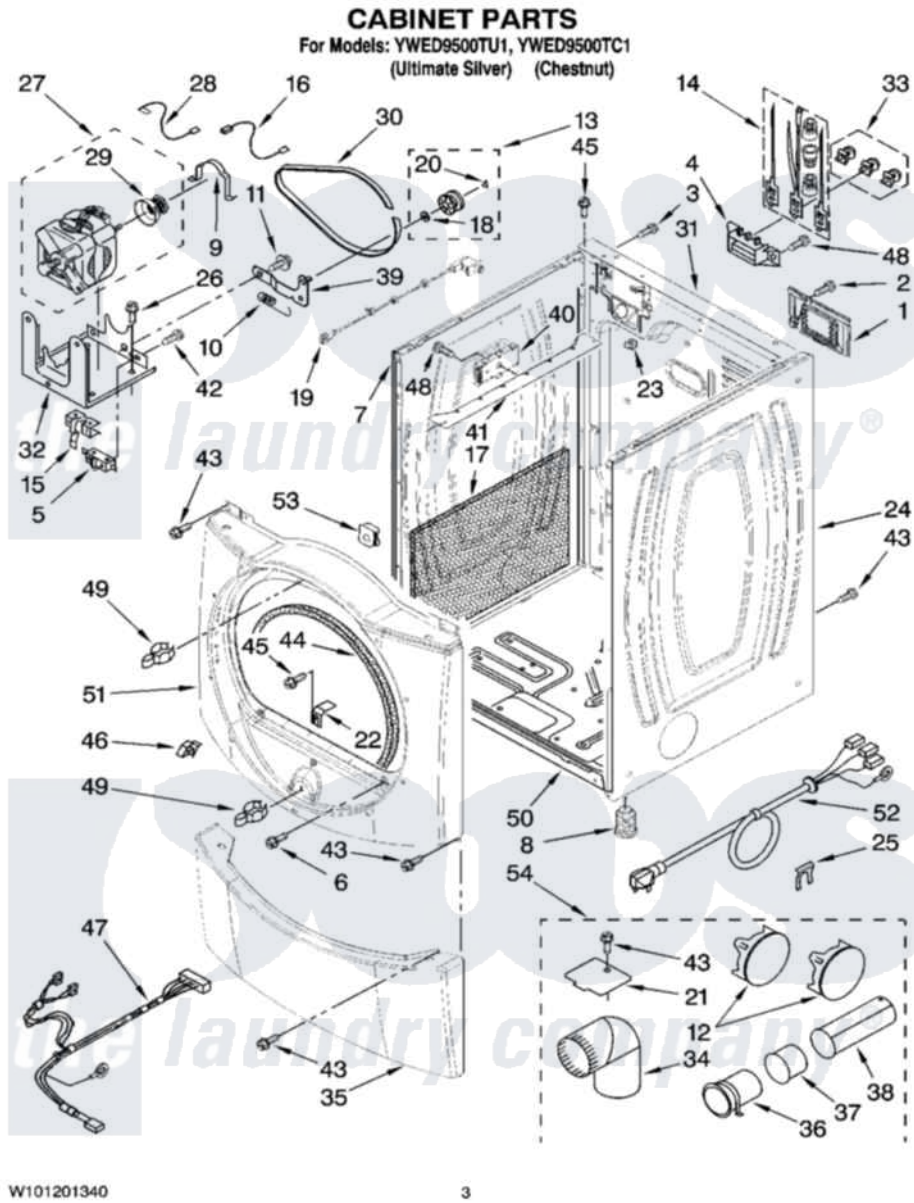


Whirlpool YWED9500TU1 02 - CABINET PARTS



W101201340

3

Whirlpool [Residential Whirlpool YWED9500TU1 Dryer Parts](#) Parts Diagram 02 - CABINET PARTS
Click on the part number to view part

| Item | Original Part Number | Replaced By | Status | Part Description |
|------|---------------------------|---------------------------|--------|---|
| 1 | 8576583 | W10119283 | | Cover, Terminal Block |
| 2 | 3390814 | 90767 | | Screw, 8A X 3/8 HeX Washer Head Tapping |
| 3 | 8533974 | 4331106 | | Screw, No.10-32 X 7/16 |
| 4 | 3397659 | | | Block, Terminal |
| 5 | 3394881 | 279782 | | Switch-Lid |
| 6 | 3357011 | 308685 | | Side Trim) |
| 7 | W10192440 | | | Panel, Side |
| " | W10192444 | | | Panel, Side |
| 8 | 3392100 | 49621 | | Feet-Leveling |
| " | 279810 | | | Foot-Optional |
| 9 | 660658 | | | Clamp, Motor Mounting 343481 685441 |
| 10 | 3387374 | | | Spring, Idler |
| 11 | 3389420 | | | Retainer-Idler 1/4-20 X 1/16 |
| 12 | 8579117 | | | Plug, Multivent |
| " | W10136998 | W10168170 | | Switch, Rotary |

| | | | |
|----|---------------------------|---------------------------|--|
| 13 | 3388672 | 279640 | Pulley-ldr |
| 14 | 279318 | | Terminal Tinned And Brass Panel |
| 15 | 8066120 | | Lever, Door Switch |
| 16 | W10167612 | | Wire, Broken Belt Switch |
| 17 | W10128772 | 8564134 | Board, Sound Dampening |
| 18 | W10121334 | | Washer, Thrust |
| 19 | W10128087 | W10318609 | Switch, Assembly Door |
| 20 | 690997 | | Washer, Thrust |
| 21 | 8066115 | 3394331 | Plate Cover |
| 22 | 8529053 | | Ramp, Door Door Switch |
| 23 | 692400 | | Nut, Push-In |
| 24 | W10192451 | | Panel, Side |
| " | W10192455 | | Panel, Side |
| 25 | 694415 | | Clip, Strain Relief |
| 26 | 343641 | 681414 | Screw, 10AB X 1/2 |
| 27 | 8538263 | 279787 | Motor-Drve |
| 28 | 3398948 | | Wire, Jumper |
| 29 | 8578220 | | Pulley, Motor |
| 30 | 3387610 | 661570 | Belt |
| 31 | W10181460 | W10202864 | Panel-Rear |
| 32 | 3387118 | | Bracket, Motor |
| 33 | 279393 | | Terminal Block Screw Kit |
| 34 | 49026 | | 4" - 90° Elbow |
| 35 | W10116277 | | Toe, Panel |
| " | W10140573 | | Panel, Toe |
| 36 | 8563747 | | Exhaust Pipe Medium Pipe |
| 37 | 8563750 | | Exhaust Pipe |
| 38 | 8563749 | | Exhaust Pipe |
| 39 | 3388674 | W10118756 | Idler Bracket |
| 40 | W10182365 | W10174746 | Board, Control |
| 41 | 8563727 | | Bracket, Control |
| 42 | 98129 | | Screw, 6-20 X 1 1/16 |
| 43 | 3390647 | 488729 | Screw |
| 44 | 3387242 | | Seal, Front Panel |
| 45 | 3393008 | 308685 | Side Trim) |
| 46 | 8519459 | | Clip, Toe Panel |
| 47 | W10181463 | | Harness, Digital Interface |
| 48 | 90767 | | Screw, 8A X 3/8 HeX Washer Head Tapping |
| 49 | 696144 | 279570 | Latch |
| 50 | 8519207 | | Base, Cabinet |
| 51 | W10180429 | | Front Panel |
| " | W10180433 | | Front Panel |
| 52 | 8529008 | Not Available | HARNES, WIRING |
| 53 | 62825 | | Clip-S Type Control Board |
| " | BLANK | Not Available | Optional Parts Not Included |
| 54 | 280171 | W10470674 | Dryer Exhaust Kit |
| " | W10152995 | Not Available | Dryer Exhaust Kit (For Side & Bottom Venting) (Chestnut) |