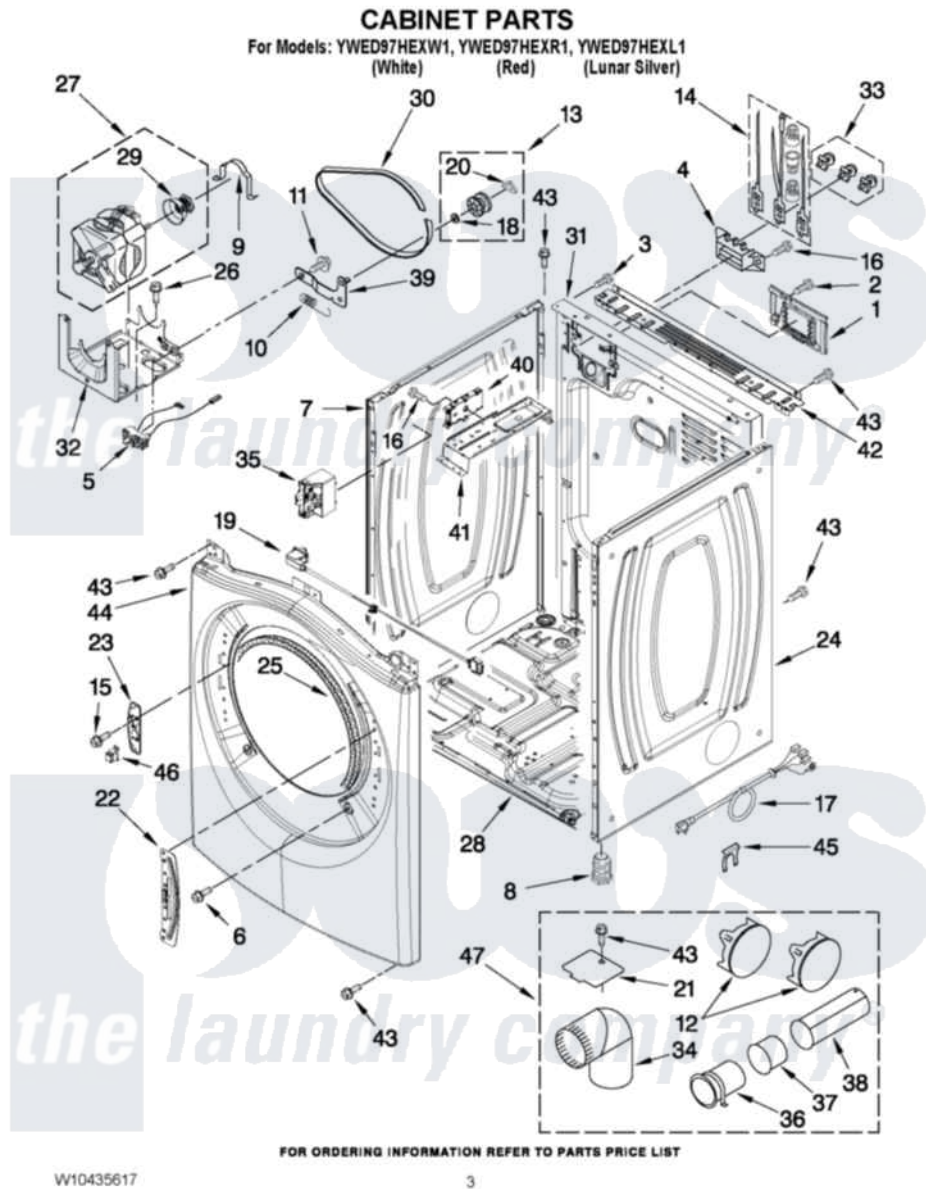


Whirlpool YWED97HEXW1 02 - CABINET PARTS



W10435617

3

Whirlpool Residential Whirlpool YWED97HEXW1 Dryer Parts Parts Diagram 02 - CABINET PARTS
Click on the part number to view part

Item	Original Part Number	Replaced By	Status	Part Description
1	W10316167			Cover,
2	3390814	90767		Screw, 8A X 3/8 HeX Washer Head Tapping
3	8533974	4331106		Screw, No.10-32 X 7/16
4	3397659			Block, Terminal
5	W10246525	W10314253		Switch, Assembly Broken Belt
6	3357011	308685		Side Trim)
7	W10192435			Panel, Side
"	W10337789	W10468502		Panel, Side
"	W10249727			Panel, Side
8	3392100	49621		Feet-Leveling
NI	279810			Foot-Optional
9	W10121316			Plug, Multivalent
10	3387374			Spring, Idler
11	3389420			Retainer-Idler 1/4-20 X 1/16
12	49252			Plug, Multivalent
"	W10151499	W10404617		Plug, Multivalent

13	3388672	279640	Pulley-Ildr
14	279318		Terminal Tinned And Brass Panel
15	W10288126		Screw, 10-32 X 1/2
16	90767		Screw, 8A X 3/8 HeX Washer Head Tapping
17	3394208		Cord, Power
18	W10121334		Washer, Thrust
19	W10267834		Door Switch Assembly
20	690997		Washer, Thrust
21	8066115	3394331	Plate Cover
22	W10208218		Bracket, Door Hinge
23	W10208250		Strike, Door
24	W10192446		Panel, Side
"	W10337790	W10468502	Panel, Side
"	W10249725		Panel, Side
25	3387242		Seal, Front Panel
26	343641	681414	Screw, 10AB X 1/2
27	8538263	279787	Motor-Drve
28	8565046		(BROKEN BELT BASE, CABINET SWITCH)
29	8578220		Pulley, Motor
30	3387610	661570	Belt
31	W10247569		Panel, Rear
32	W10242878		Bracket, Motor Mounting
33	279393		Terminal Block Screw Kit
34	49026		4" - 90° Elbow
35	3407228		Assembly, Power Cube
36	8563747		Exhaust Pipe Medium Pipe
37	8563750		Exhaust Pipe
38	8563749		Exhaust Pipe
39	3388674	W10118756	Idler Bracket
40	W10249825		Control Board
41	W10259611		Bracket, Control
42	W10208382		Bracket, Rear Dryer
43	3390647	488729	Screw
44	W10208192		Front Panel
"	W10337783		Front Panel
"	W10316296		Front Panel
45	694415		Clip, Strain Relief
46	W10208401		Spring Catch Assembly
NI	W10331132		Dryer Exhaust Kit