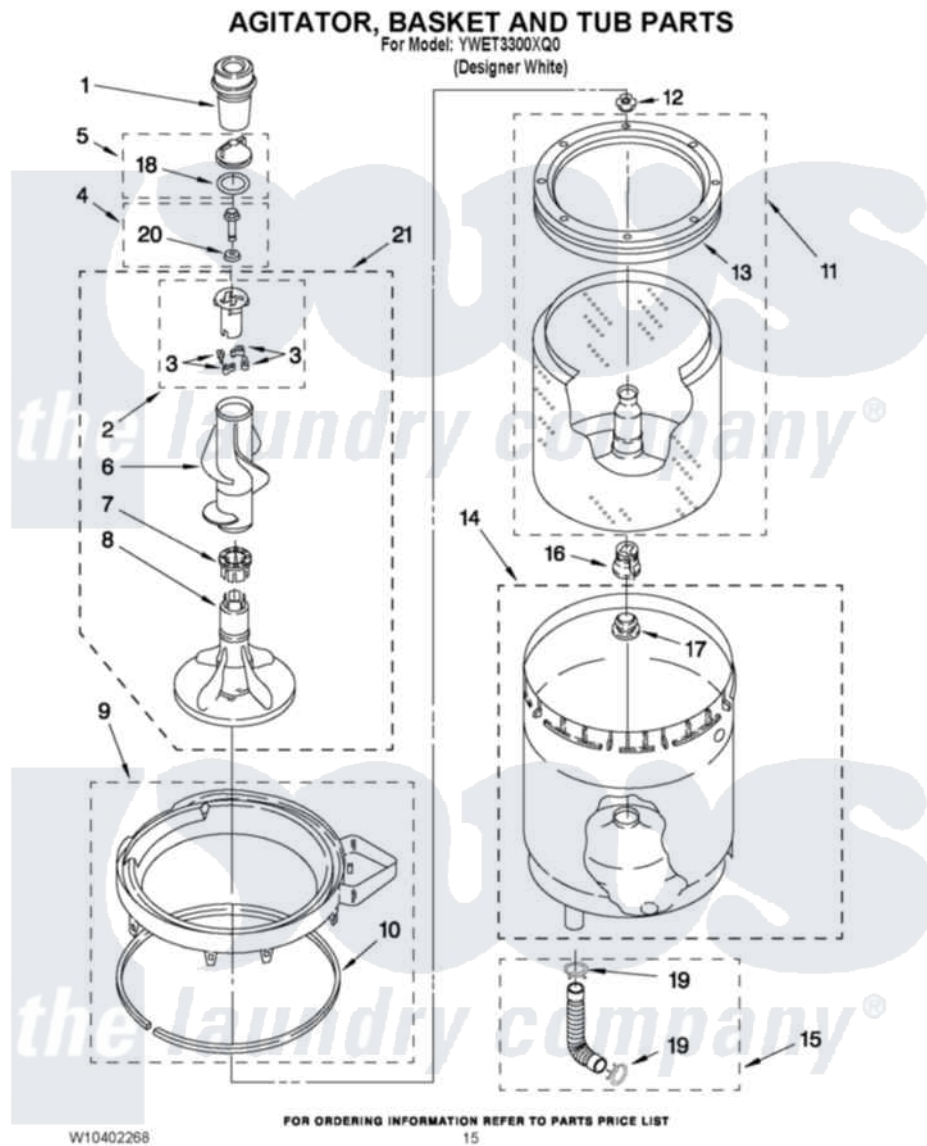


# Whirlpool YWET3300XQ0 10 - AGITATOR, BASKET AND TUB PARTS



Whirlpool Residential Whirlpool YWET3300XQ0 Washer/Dryer Parts Parts Diagram 10 - AGITATOR, BASKET AND TUB PARTS

Click on the part number to view part

Item	Original Part Number	Replaced By	Status	Part Description
1	<a href="#">3350834</a>			Dispenser,
2	3947410	<a href="#">285751</a>		Dog-Agitator
3	3366877	<a href="#">80040</a>		Dog-Agitator
4	<a href="#">358237</a>			Screw And Washer
5	387094	<a href="#">285550</a>		Cap
6	<a href="#">3349610</a>			Mover, Agitator Clutch
7	3351014	<a href="#">285620</a>		Washer
8	<a href="#">3349578</a>			Agitator
9	<a href="#">W10388299</a>			Tub Ring
10	<a href="#">3976308</a>			Gasket, Tub Ring
11	<a href="#">3352234</a>			Basket And Balance Ring Assembly
12	<a href="#">21366</a>			Nut, Spanner
13	<a href="#">387240</a>			Ring, Balance
14	<a href="#">3349292</a>			Tub
15	3951449	<a href="#">285871</a>		Hose

16	<a href="#">389140</a>		Tub Block, Basket Drive
17	<a href="#">383727</a>		Gasket, Centerpodt
18	<a href="#">W10072840</a>		Fabric Softener
19	3363366	<a href="#">616099</a>	Clamp
20	<a href="#">3949550</a>		Washer
21	<a href="#">3349743</a>		Agitator

